

Data Sheet

Pluggable Terminal Block

Pitch: 3,81 mm

Serie: A14H013

Customer Information for special Item

EDCON Customer : 0

Customer Version No. : 0

EDCON-COMPONENTS



Technical Discription

Drawing (Dimension in mm)

Electrical

Standard
Rated voltage
Rated current

cUL
AC 300V
12A

VDE
AC 300V
10A

Mechanical

Ambient temperature

-40°C ~ +105°C

Dimensions

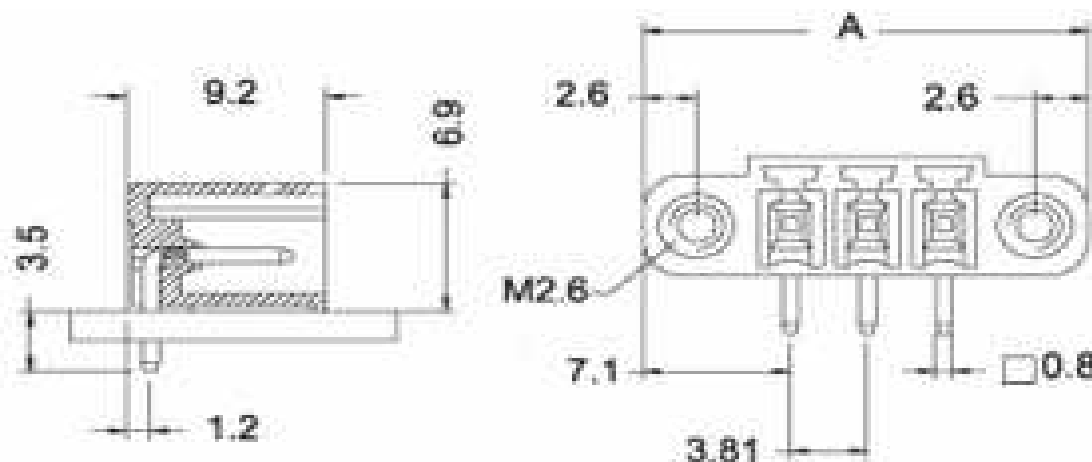
Pitch
Poles

3.81mn
2P - 24P

Material

Housing
Pin header

PA66 (UL94V-0)
Brass, Tin plated



Pluggable Terminal Block

Part No.: **A14H013**

Customer:

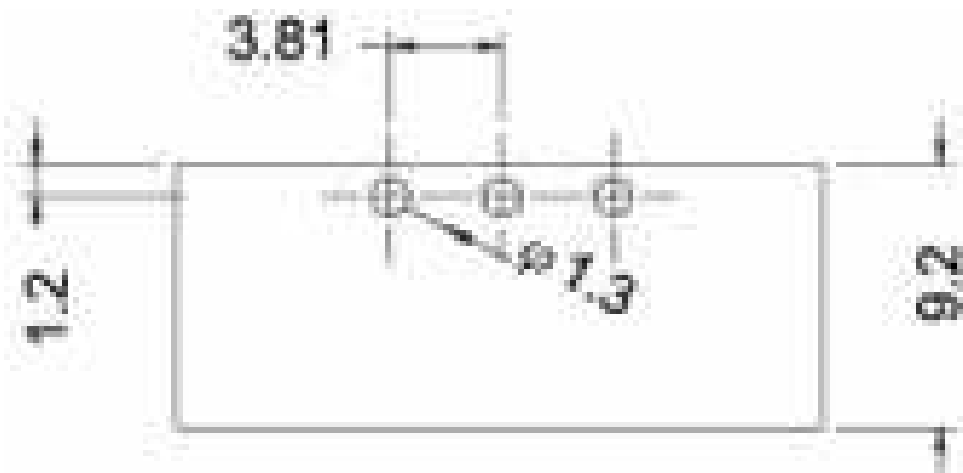
DRW:	Jason	CHKD	Wilson	MATL:	Wilson	TOLERANCE	Mason	DATE	26.05.2014
APPD:	Schumi			FINISH	Jamy		Sheet No.	1 from 4	

EDCON-COMPONENTS



PCB Layout (Dimension in mm)

Dimensions (mm)



	A[mm]		A[mm]
02P	18.0	14P	63.7
03P	21.8	15P	67.6
04P	25.6	16P	71.4
05P	29.5	17P	75.2
06P	33.3	18P	79.0
07P	37.1	19P	82.8
08P	40.9	20P	86.6
09P	44.7	21P	90.4
10P	48.5	22P	94.2
11P	52.3	23P	98.0
12P	56.1	24P	101.8
13P	59.9		

Pluggable Terminal Block

Part No.: **A14H013**

Customer:

DRW:	Jason	CHKD	Wilson	MATL:	Wilson	TOLERANCE	Mason	DATE	26.05.2014
APPD:	Schumi			FINISH	Jamy		Sheet No.	2 from 4	

EDCON-COMPONENTS



Ordering Informations

Serie	No. of Pos.	Body Color	Approval	Approval Code	ROHS	Packing	EDCON Cust. No.	Customer Version		
-------	-------------	------------	----------	---------------	------	---------	-----------------	------------------	--	--

A14H013	02	GN	N	N	R	B				
----------------	-----------	-----------	----------	----------	----------	----------	--	--	--	--

Pitch: 3,81	02= Number of Pos. Standard 2 ~ 24Pos.	GY= Gray (Standard) GN= Green OR= Orange BK= Black	N= No Approval 1= Approval for Material 2= Approval for Terminal Block	N= NON Approval A= UL /UR Approval Please consult EDCON for available B= VDE Approval Please consult EDCON for available C= TÜV Approval Please consult EDCON for available	R= ROHS Conform N= NON ROHS Conform	B= Standard Package I= Individual Package	xxxxxx= Customer Number	xxx= Customer Version ??(Printing)
----------------	---	---	--	--	--	--	-------------------------	------------------------------------

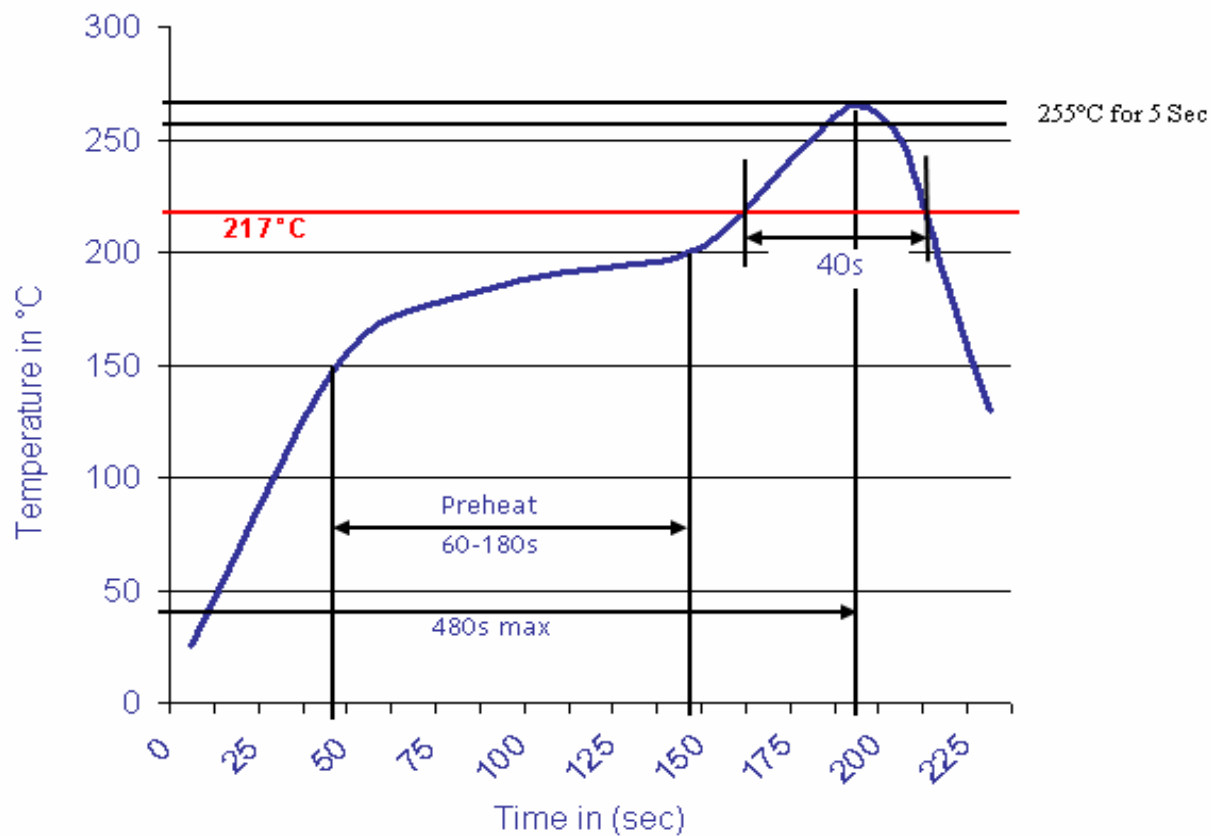
Pluggable Terminal Block
Part No.: A14H013
Customer:

DRW:	Jason	CHKD	Wilson	MATL:	Wilson	TOLERANCE	Mason	DATE	26.05.2014
APPD:	Schumi			FINISH	Jamy		Sheet No.		3 from 4



Soldering Profile Curve

Classification Reflow Profile (JEDEC J-STD-020C)



Pluggable Terminal Block

Part No.: **A14H013**

Customer:

DRW:	Jason	CHKD	Wilson	MATL:	Wilson	TOLERANCE	Mason	DATE	26.05.2014
APPD:	Schumi			FINISH	Jamy		Sheet No.	4 from 4	