

Data Sheet

Pluggable Terminal Block (Wafer)

Pitch: 3,81 mm

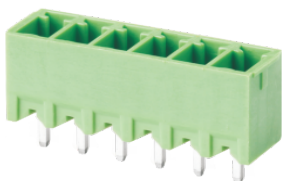
Serie: A14H012

Customer Information for special Item

EDCON Customer : xxxxxx

Customer Version No. : xx

EDCON-COMPONENTS



Technical Discription

UL/CUL Techn.Data			
Use Group	B	C	D
Rated Voltage: (V)	300	-	300
Rated Current: (A)	8	-	8
Wire Range Solid / Stranged	26~16AWG		
Withstanding Voltage:	1600V/1Min		
IEC Techn. Data VDE			
Overvoltage Category	III	III	II
Contamination Class	3	2	2
Rated Voltage: (V)	160	160	250
Rated Current: (A)	7	7	7
Impulse withstand Voltage (KV)	2,5	2,5	2,5
Conductor Cross Section (mm ²)	0,5~1,5mm ²		

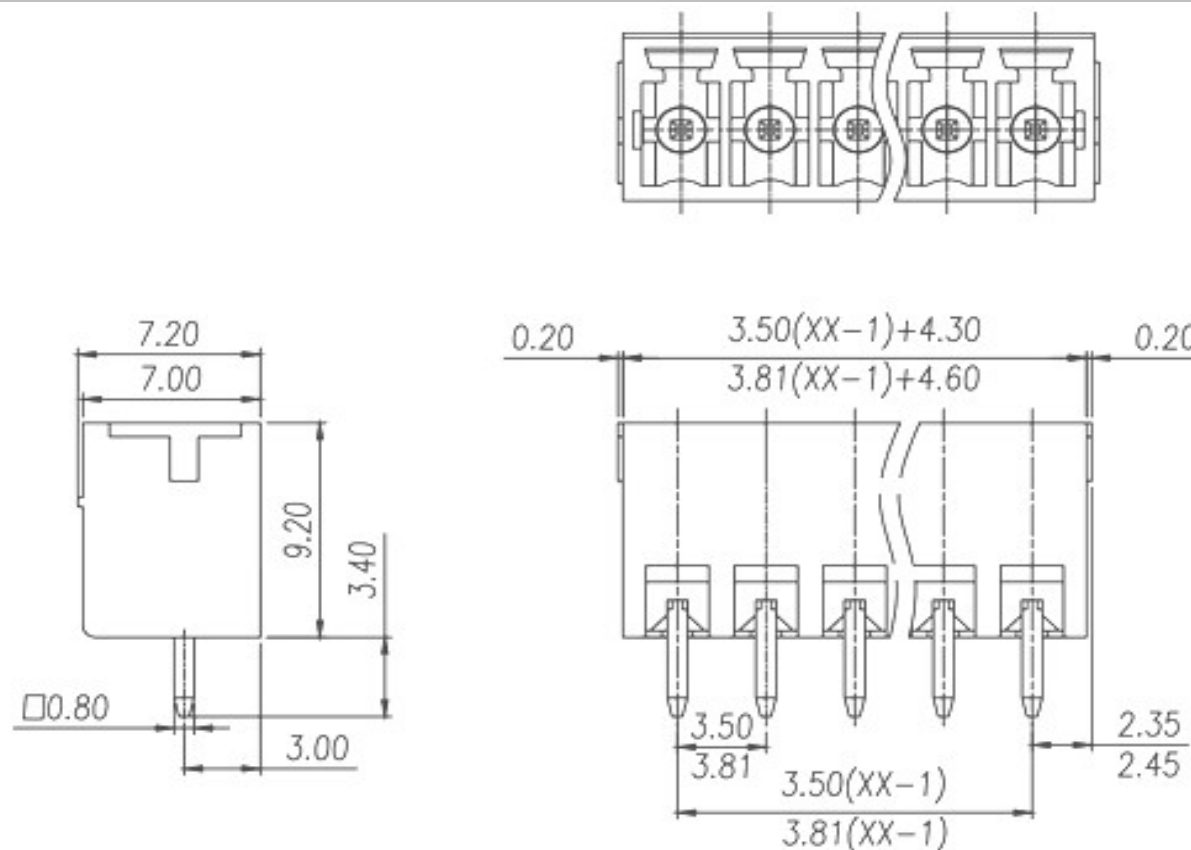
Material

Insulator Material:	PA66
Imflammability:	UL94V-0
Contact Material	Copper Alloy
Surface Coating:	SN- Plated

Other Informations

Pitch:(mm)	3,81
Poles: (P)	2 ~ 24
Stripping Length: (mm)	
Srew Torque max.(Nm)	
Operating Temp.: (°C)	-.40°C to +105°C
Pin Dimension: (mm)	0,8x0,8
PCB Hole Diameter (mm)	1,4
Screw-Size	

Drawing (Dimension in mm)



Tolerances unless otherwise specified (mm)				
x	x.x	x.xx	x.xxx	Angle
±	±	±	±	±3°

Pluggable Terminal Block (Wafer)

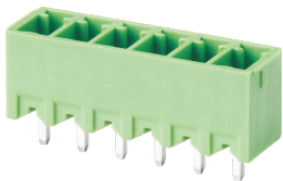
Part No.: **A14H012**

Customer:

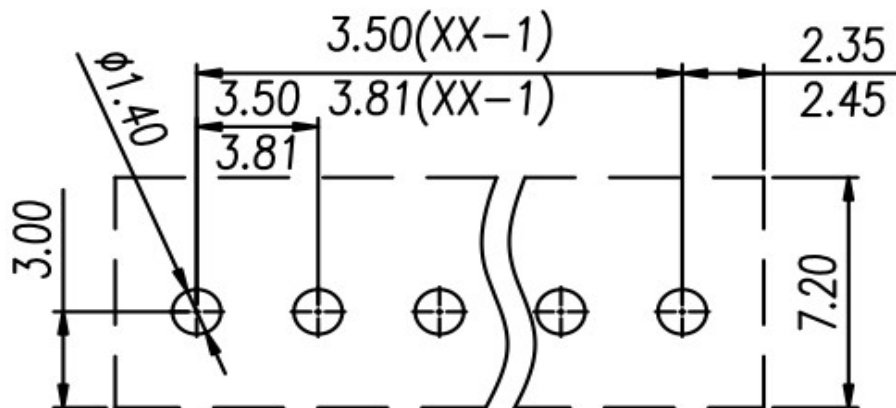
DRW:	Jason	CHKD	Wilson	MATL:	Wilson	TOLERANCE	Mason	DATE	16.06.2024
APPD:	Schumi			FINISH	Jamy		Sheet No.		1 from 4

www.edcon-components.com

email: info@edcon-components.com



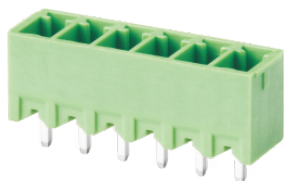
PCB Layout



Pluggable Terminal Block (Wafer)	
Part No.:	A14H012
Customer:	

DRW:	Jason	CHKD:	Wilson	MATL:	Wilson	TOLERANCE:	Mason	DATE:	16.06.2024
APPD:	Schumi	FINISH:	Jamy			Sheet No.:			2 from 4

EDCON-COMPONENTS



Ordering Informations

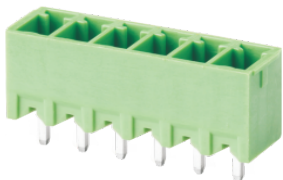
Serie	No. of Pos.	Body Color	No Function	Approval Code	ROHS	Packing	EDCON Cust. No.	Customer Version		
A14H012	02	PG	N	N	R	B	xxxxxx	xx		

Pitch
3,81

02 = Number of Pos.	PG = Phoenix Green (Standard)	N = No function	1 = NON Approval	R = ROHS Conform	B = Bulk-Ware	xxxxxx = Customer Number	xx = Customer Version ??(Printing)
Standard 2 +3 Pos.	WH = White		N = UL-Approval for Material	N = NON ROHS Conform	I = Individual Package		
	GN = Green		A = UL /UR Approval Please consult EDCON for available				
	GY = Gray		B = VDE Approval Please consult EDCON for available				
	LG = Light Gray		C = TÜV Approval Please consult EDCON for available				
	OR = Orange						
	BL = Blue						
	BK = Black						

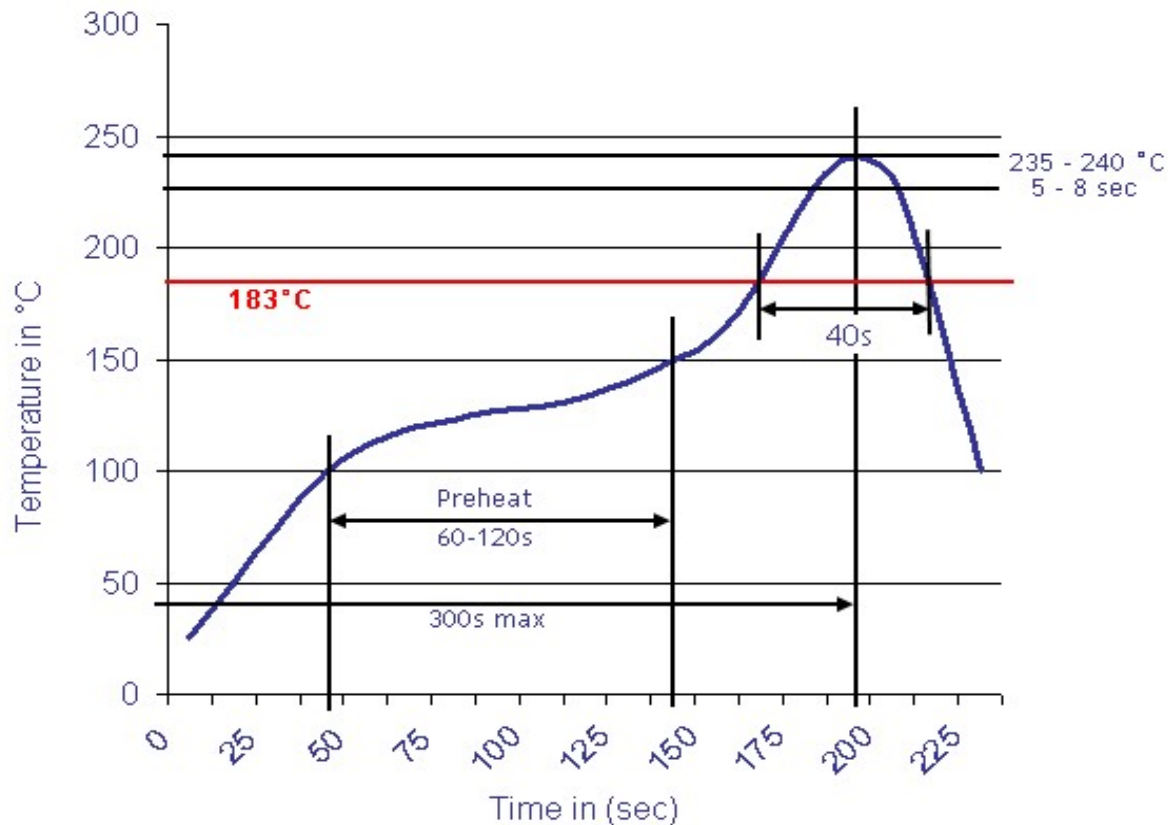
Pluggable Terminal Block (Wafer)	
Part No.:	A14H012
Customer:	

DRW:	Jason	CHKD	Wilson	MATL:	Wilson	TOLERANCE	Mason	DATE	16.06.2024
APPD:	Schumi			FINISH	Jamy		Sheet No.		3 from 4



Soldering Profile Curve

Classification Reflow Profile (JEDEC J-STD-020C)



**Pluggable Terminal Block
(Wafer)**

Part No.: **A14H012**

Customer:

DRW:	Jason	CHKD	Wilson	MATL:	Wilson	TOLERANCE	Mason	DATE	16.06.2024
APPD:	Schumi			FINISH	Jamy		Sheet No.		4 from 4