

Data Sheet

Pluggable Terminal Block

Pitch: 3,81 mm

Serie: A14H011

Customer Information for special Item

EDCON Customer : 0

Customer Version No. : 0

EDCON-COMPONENTS



Technical Description

Drawing (Dimension in mm)

Electrical

Standard
Rated voltage
Rated current

cUL
AC 300V
12A

VDE
AC 300V
10A

Mechanical

Ambient temperature

-40°C ~ +105°C

Dimensions

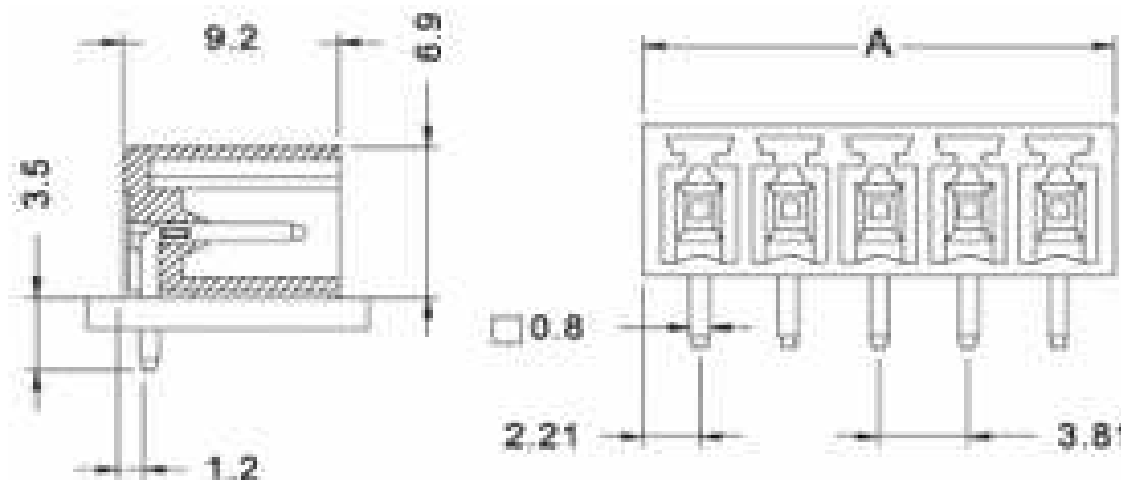
Pitch
Poles

3.81mm
2P - 24P

Material

Housing
Pin header

PA66 (UL94V-0)
Brass, Tin plated



Pluggable Terminal Block

Part No.: **A14H011**

Customer:

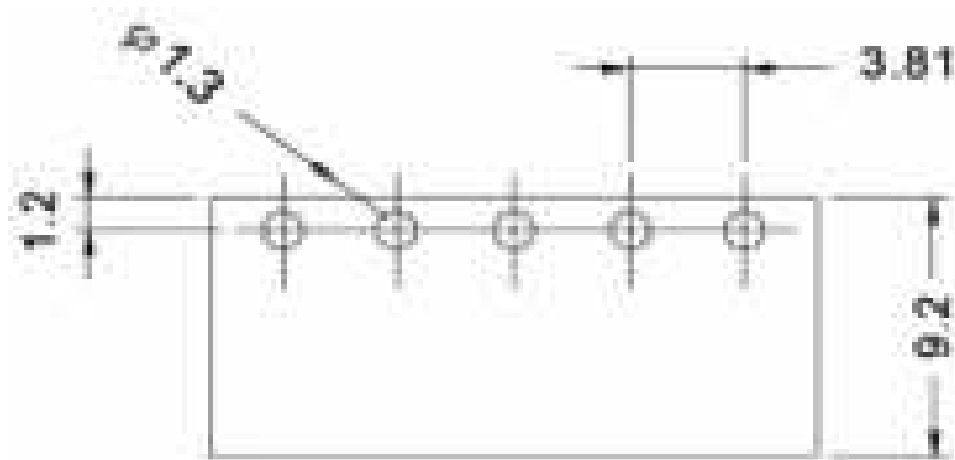
DRW:	Jason	CHKD	Wilson	MATL:	Wilson	TOLERANCE	Mason	DATE	26.05.2014
APPD:	Schumi			FINISH	Jamy		Sheet No.	1 from 4	

EDCON-COMPONENTS



PCB Layout (Dimension in mm)

Dimensions (mm)



	A[mm]		A[mm]
02P	8.2	14P	53.9
03P	12.0	15P	57.8
04P	15.9	16P	61.6
05P	19.7	17P	65.4
06P	23.5	18P	69.2
07P	27.3	19P	73.0
08P	31.1	20P	76.8
09P	34.9	21P	80.6
10P	38.7	22P	84.4
11P	42.5	23P	88.2
12P	46.3	24P	92.0
13P	50.1		

Pluggable Terminal Block

Part No.: **A14H011**

Customer:

DRW:	Jason	CHKD	Wilson	MATL:	Wilson	TOLERANCE	Mason	DATE	26.05.2014
APPD:	Schumi			FINISH	Jamy		Sheet No.	2 from 4	

EDCON-COMPONENTS



Ordering Informations

Serie	No. of Pos.	Body Color	Approval	Approval Code	ROHS	Packing	EDCON Cust. No.	Customer Version		
-------	-------------	------------	----------	---------------	------	---------	-----------------	------------------	--	--

A14H011	02	GN	N	N	R	B				
----------------	-----------	-----------	----------	----------	----------	----------	--	--	--	--

Pitch	02= Number of Pos.	GY= Gray (Standard)	N= No Approval	N= NON Approval	R= ROHS Conform	B= Standard Package	xxxxxx= Customer Number	xxx= Customer Version ??(Printing)
-------	--------------------	---------------------	----------------	-----------------	-----------------	---------------------	-------------------------	------------------------------------

3,81	Standard 2 ~ 24Pos.		1= Approval for Material	A= UL /UR Approval Please consult EDCON for available	N= NON ROHS Conform	I= Individual Package		
		GN= Green	2= Approval for Terminal Block	B= VDE Approval Please consult EDCON for available				
		OR= Orange		C= TÜV Approval Please consult EDCON for available				
		BK= Black						

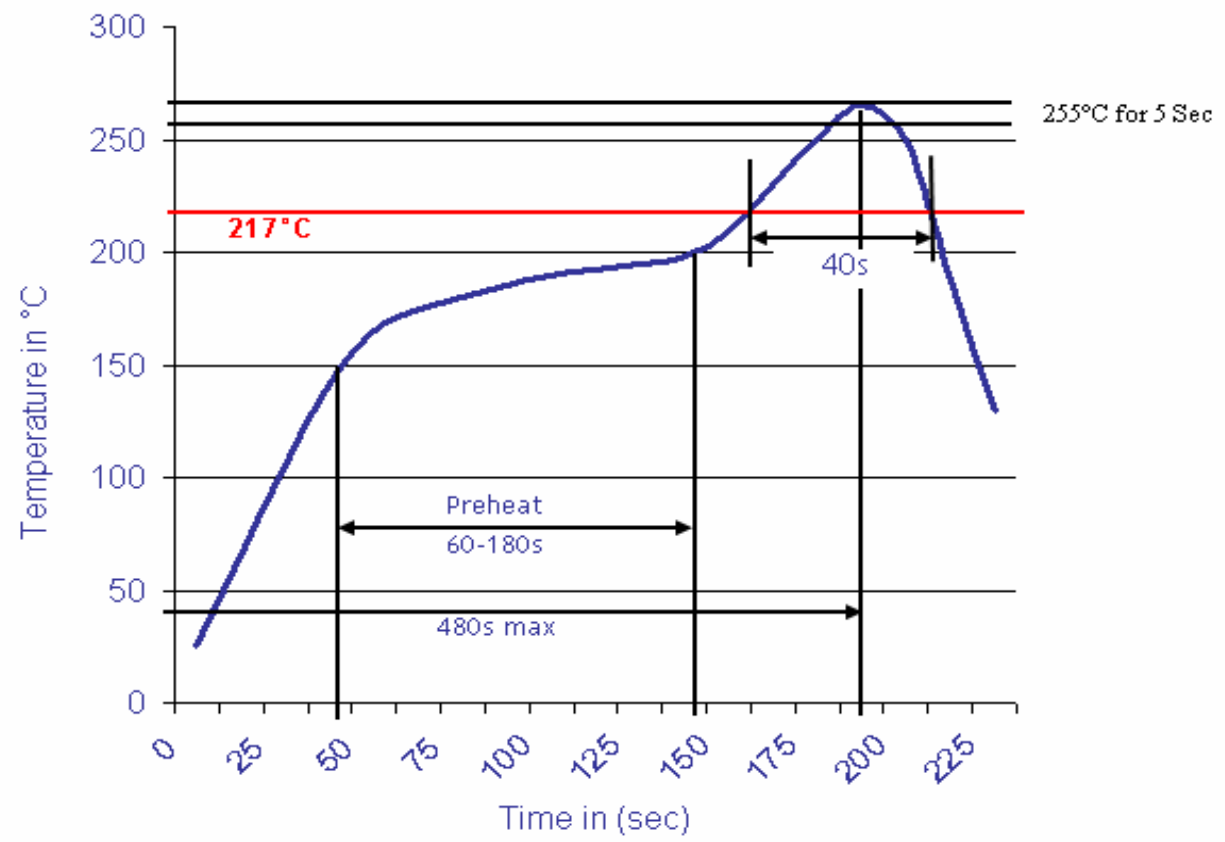
Pluggable Terminal Block	
Part No.:	A14H011
Customer:	

DRW:	Jason	CHKD	Wilson	MATL:	Wilson	TOLERANCE	Mason	DATE	26.05.2014
APPD:	Schumi			FINISH	Jamy		Sheet No.		3 from 4



Soldering Profile Curve

Classification Reflow Profile (JEDEC J-STD-020C)



Pluggable Terminal Block	
Part No.:	A14H011
Customer:	

DRW:	Jason	CHKD	Wilson	MATL:	Wilson	TOLERANCE	Mason	DATE	26.05.2014
APPD:	Schumi			FINISH	Jamy		Sheet No.	4 from 4	