

# Data Sheet

## Plug Screw Terminal Block

**Pitch: 3,81 mm**

**Serie: A14H008**

### Customer Information for special Item

**EDCON Customer : 0**

**Customer Version No. : 0**

# EDCON-COMPONENTS



## Technical Discription

### Electrical

	cUL	VDE
Standard	AC 300V	AC 300V
Rated voltage	8A	10A
Rated current	24-16 AWG	0.2-1.5mm <sup>2</sup>
Wire range	6-7 mm	6-7 mm
wire Strip Length	1,6KV	2,5KV
Withstanding Voltage		

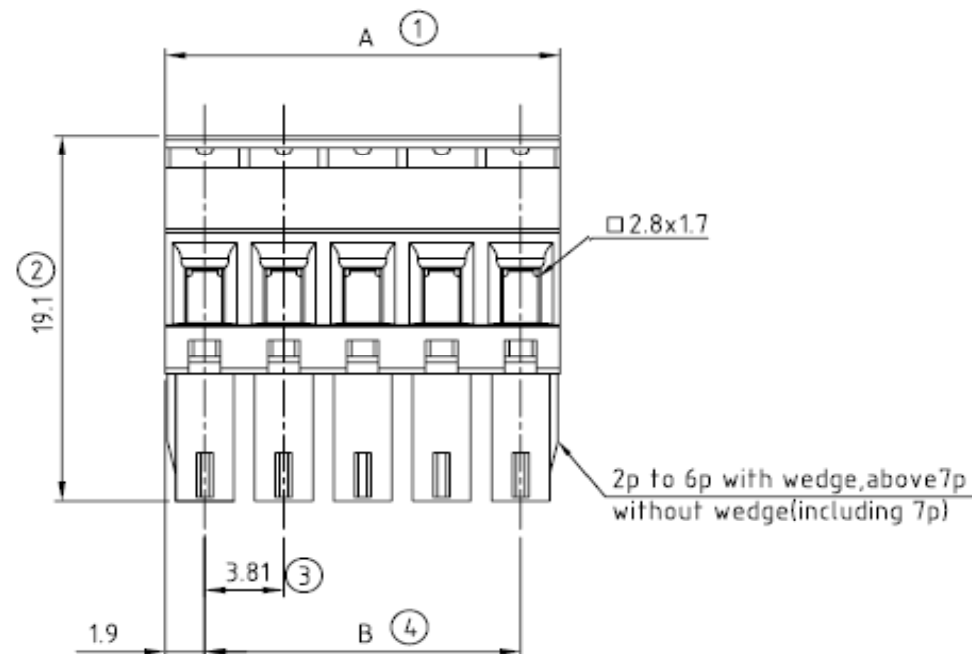
### Mechanical

Ambient temperature	-40°C ~ +105°C
Screw, Torque	M2, 0.34Nm (3.0Lb-In.)

### Dimensions

Pitch	3.81mn
Poles	2P - 20P

## Drawing (Dimension in mm)



### Material Marking

Material Marking	Description
a	Clamp Brass (CuZn), Nickle Plated
b	Terminal Screw; Steel Zinc plated Slot-Type
c	Female Contact: PhBz, Tin plated
d	Terminal Housing; Thermoplastic (UL94V-0)
e	Terminal Cover; Thermoplastic (UL94V-0)

### Tolerance ( mm)

X.	X,X	X,XX	X°	Plug Screw Terminal Block
±0,50	±0,30	±0,10	±1°	
TOLERANCE	Mason	DATE	05.02.2018	Part No.: <b>A14H008</b>
	Sheet No.		1 from 4	Customer:

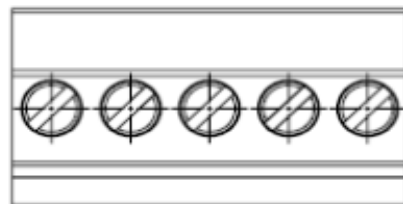
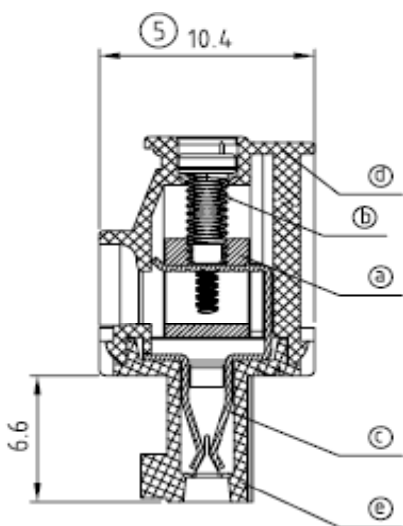
DRW:	Jason	CHKD	Wilson	MATL:	Wilson
APPD:	Schumi			FINISH	Jamy

# EDCON-COMPONENTS



PCB Layout (Dimension in mm)

Dimensions (mm)



No. of Pos.	A	Tol. P
02	8,40	± 0,35
03	12,20	± 0,35
04	16,00	± 0,35
05	19,80	± 0,35
06	23,70	± 0,35
07	27,50	± 0,35
08	31,30	± 0,35
09	35,10	± 0,35
10	38,90	± 0,35
11	42,70	± 0,35
12	46,50	± 0,35
13	50,30	± 0,35
14	54,10	± 0,35
15	57,90	± 0,35
16	61,80	± 0,35
17	65,60	± 0,35
18	69,40	± 0,35
19	73,20	± 0,35
20	77,00	± 0,35

**Plug Screw Terminal Block**

Part No.: **A14H008**

Customer:

DRW:	Jason	CHKD	Wilson	MATL:	Wilson	TOLERANCE	Mason	DATE	05.02.2018
APPD:	Schumi			FINISH	Jamy		Sheet No.	2 from 4	

[www.edcon-components.com](http://www.edcon-components.com)

email: [info@edcon-components.com](mailto:info@edcon-components.com)

# EDCON-COMPONENTS



## Ordering Informations

Serie	No. of Pos.	Body Color	Approval	Approval Code	ROHS	Packing	EDCON Cust. No.	Customer Version		
-------	-------------	------------	----------	---------------	------	---------	-----------------	------------------	--	--

<b>A14H008</b>	<b>02</b>	<b>PG</b>	<b>N</b>	<b>N</b>	<b>R</b>	<b>B</b>				
----------------	-----------	-----------	----------	----------	----------	----------	--	--	--	--

Pitch	02= Number of Pos.	PG= Phoenix Green	N= No Approval	N= NON Approval	R= ROHS Conform	B= Standard Package	xxxxxx= Customer Number	xxx= Customer Version ??(Printing)
-------	--------------------	-------------------	----------------	-----------------	-----------------	---------------------	-------------------------	------------------------------------

3,81	Standard 2 ~ 24Pos.	GY= Gray (Standard)	1= Approval for Material	A= UL /UR Approval Please consult EDCON for available	N= NON ROHS Conform	I= Individual Package		
		GN= Green	2= Approval for Terminal Block	B= VDE Approval Please consult EDCON for available				
		OR= Orange		C= TÜV Approval Please consult EDCON for available				
		BK= Black						

<b>Plug Screw Terminal Block</b>	
Part No.:	<b>A14H008</b>
Customer:	

DRW:	Jason	CHKD	Wilson	MATL:	Wilson	TOLERANCE	Mason	DATE	05.02.2018
APPD:	Schumi			FINISH	Jamy		Sheet No.		3 from 4