

Data Sheet

Pluggable Terminal Block

Pitch: 3,81 mm

Serie: A14H005

Customer Information for special Item

EDCON Customer : 0

Customer Version No. : 0

EDCON-COMPONENTS



Technical Description

Drawing (Dimension in mm)

Electrical

Standard
Rated voltage
Rated current
Wire range

cUL	VDE
AC 300V	
10A	
24-16 AWG	0.2-1.5mm ²

Mechanical

Ambient temperature
Screw, Torque

-40°C ~ +105°C
M2, 0.34Nm (3.0Lb-In.)

Dimensions

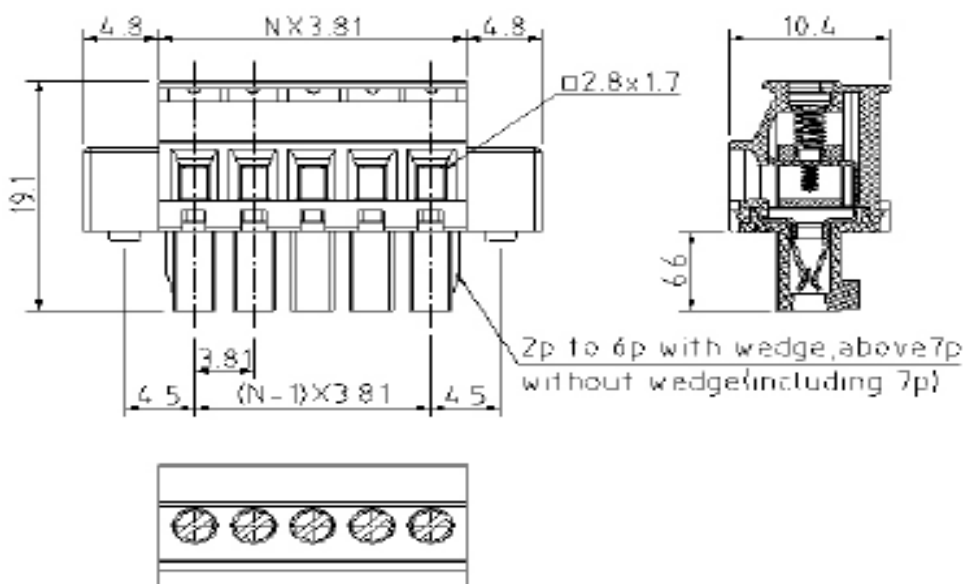
Pitch
Poles

3.81mm
2P - 24P

Material

Housing
Pin header
Screw
Cage clamp

PA66 (UL94V-0)
Phosphor Bronze, Tin plated
Steel, Ni-plated
Brass, Ni-plated



Pluggable Terminal Block

Part No.: **A14H005**

Customer:

DRW:	Jason	CHKD	Wilson	MATL:	Wilson	TOLERANCE	Mason	DATE	26.05.2014
APPD:	Schumi			FINISH	Jamy		Sheet No.	1 from 4	

EDCON-COMPONENTS



PCB Layout (Dimension in mm)

Dimensions (mm)

No. of Pos.	A	Tol. P
02	17,22	± 0,35
03	21,03	± 0,35
04	24,84	± 0,35
05	28,65	± 0,35
06	32,46	± 0,35
07	36,27	± 0,35
08	40,08	± 0,35
09	43,89	± 0,35
10	47,70	± 0,35
11	51,51	± 0,35
12	55,32	± 0,35
13	59,13	± 0,35
14	62,94	± 0,35
15	66,75	± 0,35
16	70,56	± 0,35
17	74,37	± 0,35
18	78,18	± 0,35
19	81,99	± 0,35
20	85,80	± 0,35
21	89,61	± 0,35
22	93,42	± 0,35
23	97,23	± 0,35
24	101,04	± 0,35

Pluggable Terminal Block

Part No.: **A14H005**

Customer:

DRW:	Jason	CHKD	Wilson	MATL:	Wilson	TOLERANCE	Mason	DATE	26.05.2014
APPD:	Schumi			FINISH	Jamy		Sheet No.		2 from 4

EDCON-COMPONENTS



Ordering Informations

Serie	No. of Pos.	Body Color	Approval	Approval Code	ROHS	Packing	EDCON Cust. No.	Customer Version		
A14H005	02	GN	N	N	R	B				

Pitch: 3,81	02 = Number of Pos. Standard 2 ~ 24Pos.	GY = Gray (Standard) GN = Green OR = Orange BK = Black	N = No Approval 1 = Approval for Material 2 = Approval for Terminal Block	N = NON Approval A = UL /UR Approval Please consult EDCON for available B = VDE Approval Please consult EDCON for available C = TÜV Approval Please consult EDCON for available	R = ROHS Conform N = NON ROHS Conform	B = Standard Package I = Individual Package	xxxxxx = Customer Number	xxx = Customer Version ??(Printing)
----------------	---	---	--	--	--	--	---------------------------------	--

Pluggable Terminal Block	
Part No.:	A14H005
Customer:	

DRW:	Jason	CHKD	Wilson	MATL:	Wilson	TOLERANCE	Mason	DATE	26.05.2014
APPD:	Schumi			FINISH	Jamy		Sheet No.		3 from 4



Soldering Profile Curve

Classification Reflow Profile (JEDEC J-STD-020C)



Pluggable Terminal Block

Part No.: **A14H005**

Customer:

DRW:	Jason	CHKD	Wilson	MATL:	Wilson	TOLERANCE	Mason	DATE	26.05.2014
APPD:	Schumi			FINISH	Jamy		Sheet No.	4 from 4	