

Data Sheet

Pluggable Terminal Block (Header) Closed Ends

Pitch: 3,50 mm

Serie: A14G026

Customer Information for special Item

EDCON Customer : xxxxxx

Customer Version No. : xx

EDCON-COMPONENTS



Technical Discription

Electrical:

Rated voltage:

Rated current:

Withstanding Voltage: AC/1min:

Operating Temperature:

Mechanical:

Strip length: mm

Wire range: Solid wire: AWG

Wire range: Stranded wire:AWG

Material:

Housing Terminal Body:

Material Terminal:

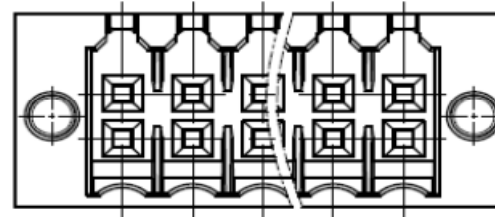
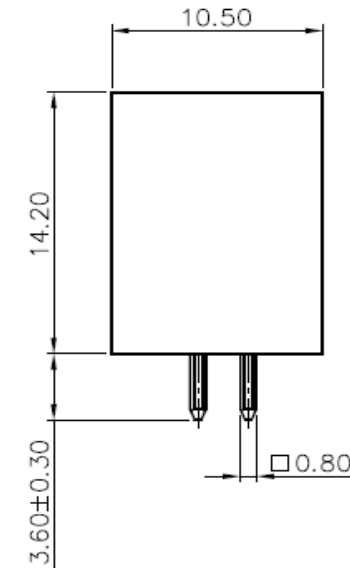
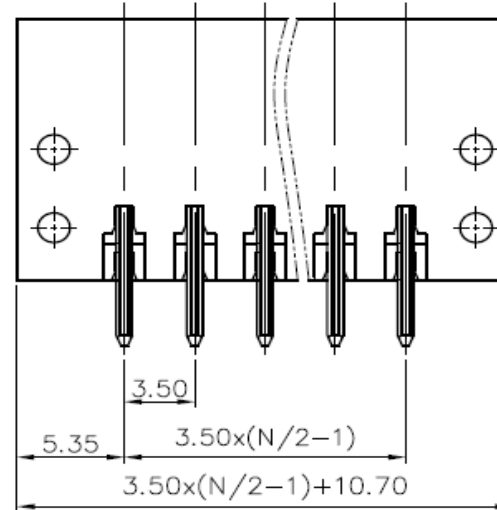
UL	IEC	VDE
150V		
10A		
1200V		

-40°C ~ +105°C

Thermoplastik PA66 UL94V-0

Brass, Tin plated

Drawing (Dimension in mm)



Item No.		
1		
2		
3		
4		
5		
6		
7		
8		
9		

Tolerances unless otherwise specified (mm)				
x	x.x	x.xx	x.xxx	Angle
±	±	±	±	±3°
DRW:	Jason	CHKD	Wilson	MATL:
APPD:	Schumi		FINISH	Jamy

**Pluggable Terminal Block
(Header) Closed Ends**

Part No.: **A14G026**

Customer:

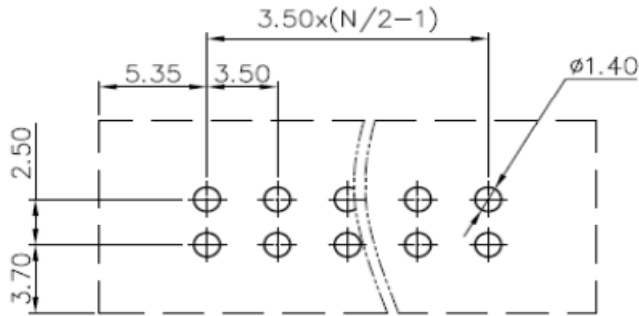
www.edcon-components.com

email: info@edcon-components.com

EDCON-COMPONENTS



PCB Layout



Dimensions / Tolerance (mm)

L	Tol. L	K	Tol. K	No. of Pos.
14,20	± 0,15	10,50	± 0,15	04
17,70	± 0,15	17,50	± 0,15	06
21,20	± 0,15	24,50	± 0,15	08
24,70	± 0,15	31,50	± 0,15	10
28,20	± 0,15	38,50	± 0,15	12
31,70	± 0,20	45,50	± 0,20	14
35,20	± 0,20	52,50	± 0,20	16
38,70	± 0,20	59,50	± 0,20	18
42,20	± 0,20	66,50	± 0,20	20
45,70	± 0,20	73,50	± 0,20	22
49,20	± 0,20	80,50	± 0,20	24
52,70	± 0,25	87,50	± 0,25	26
56,20	± 0,25	94,50	± 0,25	28
59,70	± 0,25	101,50	± 0,25	30
63,20	± 0,25	108,50	± 0,25	32
66,70	± 0,25	115,50	± 0,25	34
70,20	± 0,25	122,50	± 0,25	36
73,70	± 0,30	129,50	± 0,30	38
77,20	± 0,30	136,50	± 0,30	40
80,70	± 0,30	143,50	± 0,30	42
84,20	± 0,30	150,50	± 0,30	44
87,70	± 0,30	157,50	± 0,30	46
91,20	± 0,30	164,50	± 0,30	48

**Pluggable Terminal Block
(Header) Closed Ends**

Part No.: **A14G026**

Customer:

DRW:	Jason	CHKD	Wilson	MATL:	Wilson	TOLERANCE	Mason	DATE	10.04.2018
APPD:	Schumi			FINISH	Jamy		Sheet No.		2 from 4

EDCON-COMPONENTS



Ordering Informations

Serie	No. of Pos.	Body Color	No Function	Approval Code	ROHS	Packing	EDCON Cust. No.	Customer Version		
A14G026	04	PG	N	N	R	B	xxxxxx	xx		

Pitch
3,50

04 = Number of Pos.	PG = Phoenix Green (Standard)	N = No function	N = NON Approval	R = ROHS Conform	B = Bulk-Ware	xxxxxx = Customer Number	xx = Customer Version ??(Printing)
Standard 04 ~ 48 Pos.	WH = White		1 = UL-Approval for Material	N = NON ROHS Conform	I = Individual Package		
	GN = Green		A = UL /UR Approval Please consult EDCON for available				
	GY = Gray						
	LG = Light Gray						
	OR = Orange		B = VDE Approval Please consult EDCON for available				
	BL = Blue						
	BK = Black		C = TÜV Approval Please consult EDCON for available				

**Pluggable Terminal Block
(Header) Closed Ends**

Part No.: **A14G026**

DRW:	Jason	CHKD	Wilson	MATL:	Wilson	TOLERANCE	Mason	DATE	10.04.2018
APPD:	Schumi			FINISH	Jamy		Sheet No.		3 from 4

Customer:

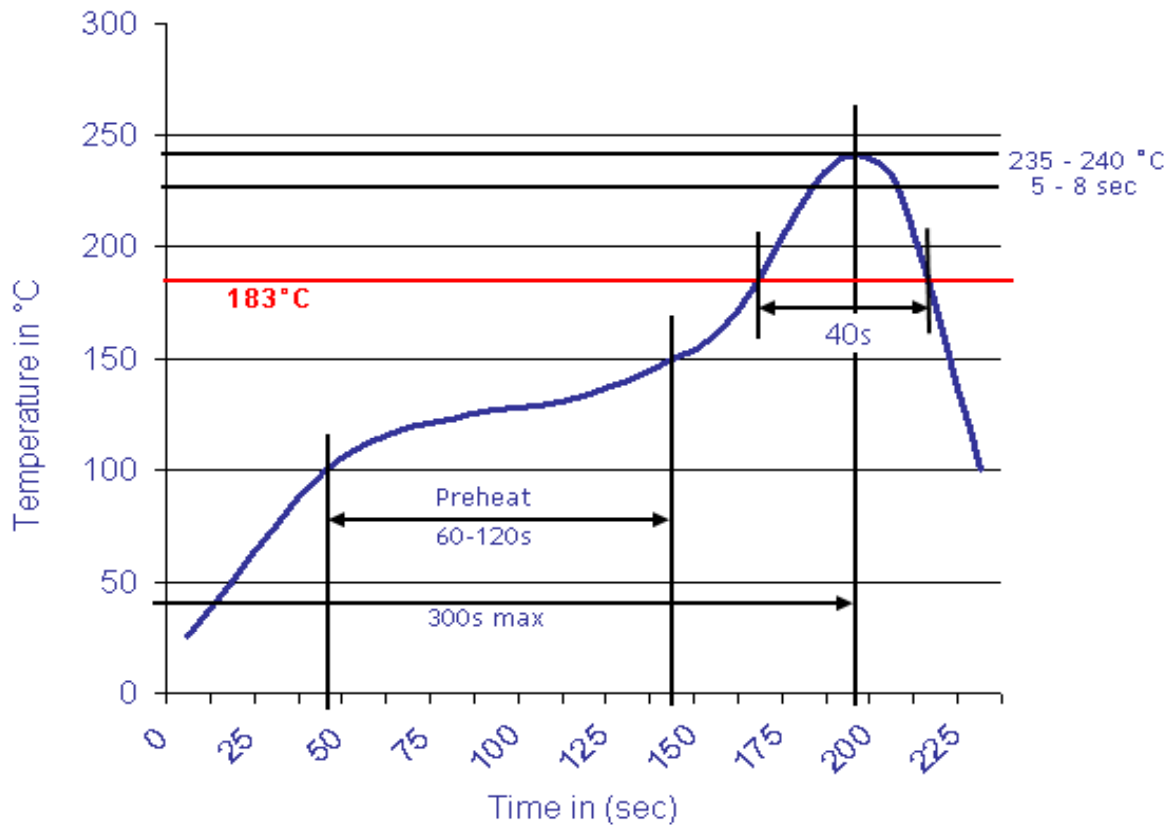
www.edcon-components.com

email: info@edcon-components.com



Soldering Profile Curve

Classification Reflow Profile (JEDEC J-STD-020C)



Pluggable Terminal Block (Header) Closed Ends	
Part No.:	A14G026
Customer:	

DRW:	Jason	CHKD	Wilson	MATL:	Wilson	TOLERANCE	Mason	DATE	10.04.2018
APPD:	Schumi			FINISH	Jamy		Sheet No.		4 from 4