

# Data Sheet

## Pluggable Terminal Block (Header) Closed Ends

**Pitch: 3,50 mm**

**Serie: A14G024**

### Customer Information for special Item

**EDCON Customer : xxxxxx**

**Customer Version No. : xx**

# EDCON-COMPONENTS



## Technical Discription

### Electrical:

Rated voltage:

Rated current:

Withstanding Voltage: AC/1min:

Operating Temperature:

UL	IEC	VDE
150V		
10A		
1200V		

-40°C ~ +115°C

### Mechanical:

Strip length: mm

Wire range: Solid wire: AWG

Wire range: Stranded wire:AWG


### Material:

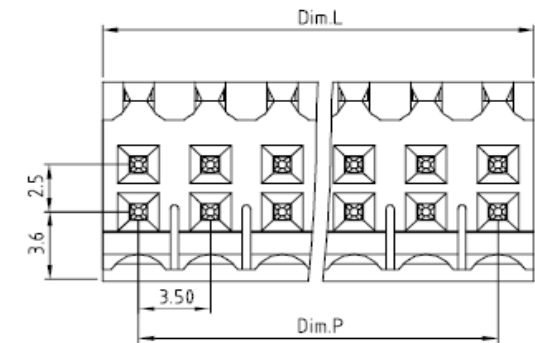
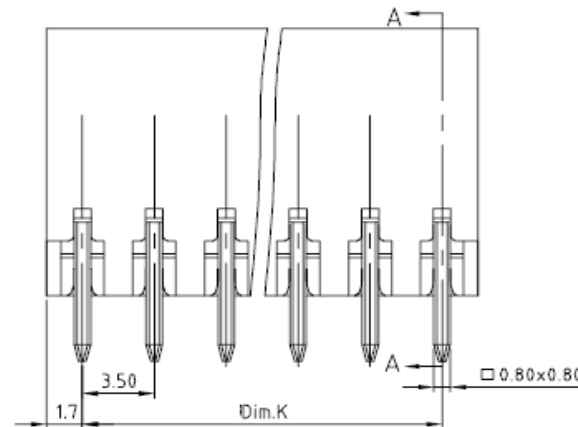
Housing Terminal Body:

Material Terminal:

Thermoplastik PA66 UL94V-0

Brass, Tin plated

## Drawing (Dimension in mm)



Item No.		
1		
2		
3		
4		
5		
6		
7		
8		
9		

Tolerances unless otherwise specified (mm)				
x	x.x	x.xx	x.xxx	Angle
±	±	±	±	±3°
DRW:	Jason	CHKD	Wilson	MATL:
APPD:	Schumi		FINISH	Jamy
			DATE	10.04.2018
			Sheet No.	1 from 4

**Pluggable Terminal Block  
(Header) Closed Ends**

Part No.: **A14G024**

Customer:

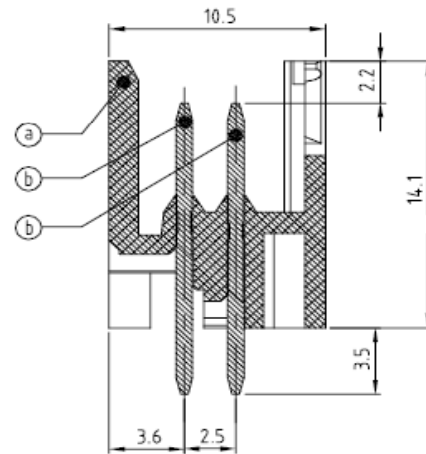
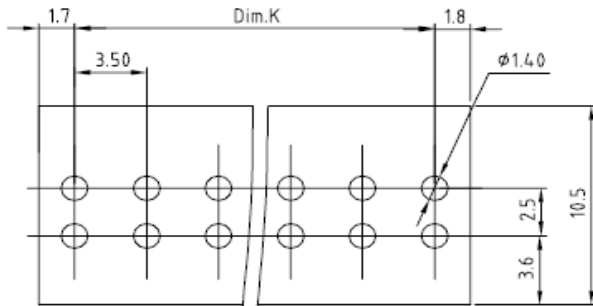
[www.edcon-components.com](http://www.edcon-components.com)

email: [info@edcon-components.com](mailto:info@edcon-components.com)

# EDCON-COMPONENTS



## PCB Layout



## Dimensions / Tolerance (mm)

L	Tol. L	K	Tol. K	No. of Pos.
7,00	± 0,15	3,50	± 0,15	02
10,50	± 0,15	7,00	± 0,15	03
14,00	± 0,15	10,50	± 0,15	04
17,50	± 0,15	14,00	± 0,15	05
21,00	± 0,15	17,50	± 0,15	06
24,50	± 0,20	21,00	± 0,20	07
28,00	± 0,20	24,50	± 0,20	08
31,50	± 0,20	28,00	± 0,20	09
35,00	± 0,20	31,50	± 0,20	10
38,50	± 0,20	35,00	± 0,20	11
42,00	± 0,20	38,50	± 0,20	12
45,50	± 0,25	42,00	± 0,25	13
49,00	± 0,25	45,50	± 0,25	14
52,50	± 0,25	49,00	± 0,25	15
56,00	± 0,25	52,50	± 0,25	16
59,50	± 0,25	56,00	± 0,25	17
63,00	± 0,25	59,50	± 0,25	18
66,50	± 0,30	63,00	± 0,30	19
70,00	± 0,30	66,50	± 0,30	20
73,50	± 0,30	70,00	± 0,30	21
77,00	± 0,30	73,50	± 0,30	22
80,50	± 0,30	77,00	± 0,30	23
84,00	± 0,30	80,50	± 0,30	24

**Pluggable Terminal Block  
(Header) Closed Ends**

Part No.: **A14G024**

Customer:

DRW:	Jason	CHKD	Wilson	MATL:	Wilson	TOLERANCE	Mason	DATE	10.04.2018
APPD:	Schumi			FINISH	Jamy		Sheet No.		2 from 4

# EDCON-COMPONENTS



## Ordering Informations

Serie	No. of Pos.	Body Color	No Function	Approval Code	ROHS	Packing	EDCON Cust. No.	Customer Version		
<b>A14G024</b>	<b>04</b>	<b>PG</b>	<b>N</b>	<b>N</b>	<b>R</b>	<b>B</b>	<b>xxxxxx</b>	<b>xx</b>		

Pitch  
3,50

<b>04</b> = Number of Pos.	<b>PG</b> = Phoenix Green (Standard)	<b>N</b> = No function	<b>N</b> = NON Approval	<b>R</b> = ROHS Conform	<b>B</b> = Bulk-Ware	<b>xxxxxx</b> = Customer Number	<b>xx</b> = Customer Version ??(Printing)
Standard 04 ~ 48 Pos.	<b>WH</b> = White		<b>1</b> = UL-Approval for Material	<b>N</b> = NON ROHS Conform	<b>I</b> = Individual Package		
	<b>GN</b> = Green		<b>A</b> = UL /UR Approval Please consult EDCON for available				
	<b>GY</b> = Gray						
	<b>LG</b> = Light Gray						
	<b>OR</b> = Orange		<b>B</b> = VDE Approval Please consult EDCON for available				
	<b>BL</b> = Blue						
	<b>BK</b> = Black		<b>C</b> = TÜV Approval Please consult EDCON for available				

**Pluggable Terminal Block  
(Header) Closed Ends**

Part No.: **A14G024**

DRW:	Jason	CHKD	Wilson	MATL:	Wilson	TOLERANCE	Mason	DATE	10.04.2018
APPD:	Schumi			FINISH	Jamy		Sheet No.		3 from 4

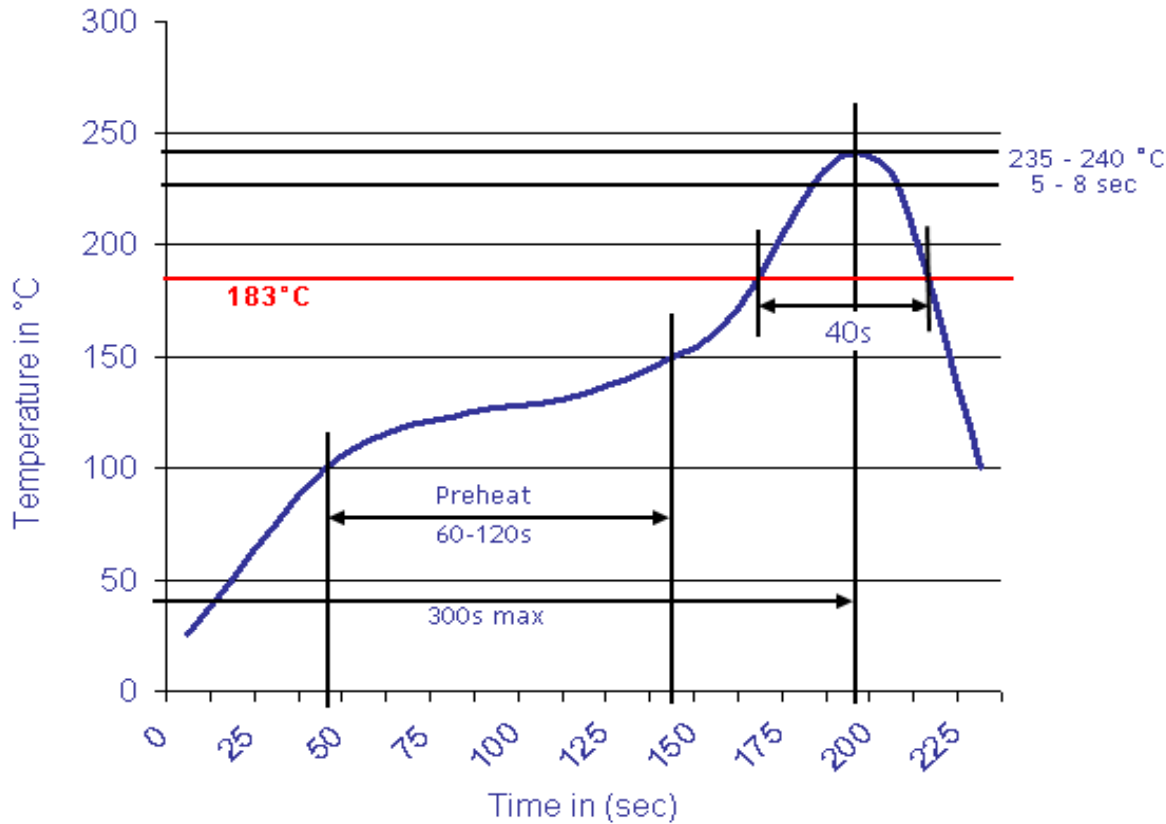
[www.edcon-components.com](http://www.edcon-components.com)

email: [info@edcon-components.com](mailto:info@edcon-components.com)



Soldering Profile Curve

Classification Reflow Profile (JEDEC J-STD-020C)



**Pluggable Terminal Block  
(Header) Closed Ends**

Part No.: **A14G024**

DRW:	Jason	CHKD	Wilson	MATL:	Wilson	TOLERANCE	Mason	DATE	10.04.2018
APPD:	Schumi			FINISH	Jamy		Sheet No.	4 from 4	

Customer: