

Data Sheet

Screwless Terminal Block

Pitch: 3,50 mm

Serie: A14G016

Customer Information for special Item

EDCON Customer : 0

Customer Version No. : 0

EDCON-COMPONENTS



Technical Discription

Drawing (Dimension in mm)

Electrical

Standard	cUL	VDE
Rated voltage	AC 150V	AC 300V
Rated current	12A	10A

Mechanical

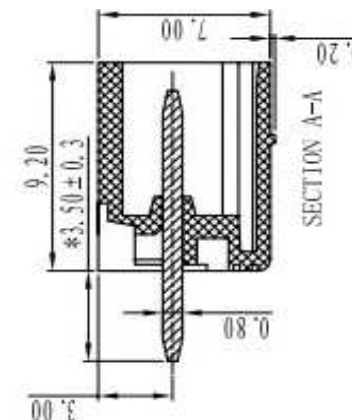
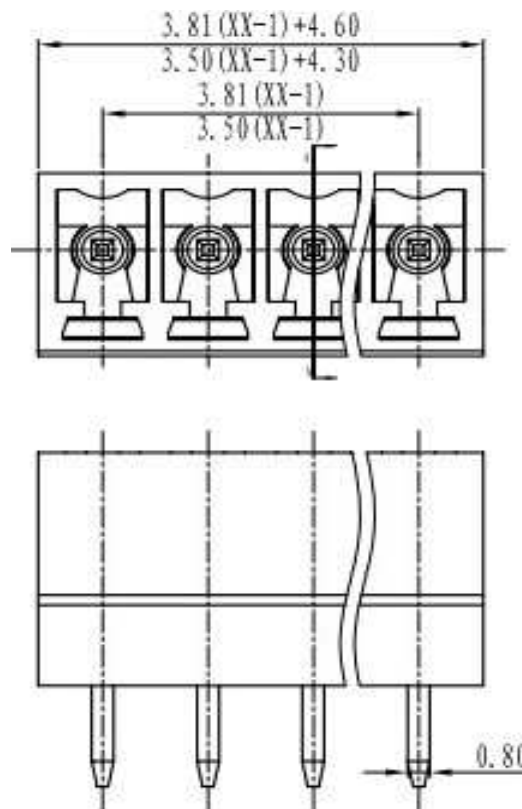
Ambient temperature	-40°C ~ +105°C
---------------------	----------------

Dimensions

Pitch	3.50mm
Poles	2P - 24P

Material

Housing	PA66 (UL94V-0)
Solder pin	Brass, Tin plated



Screwless Terminal Block

Part No.: **A14G016**

Customer:

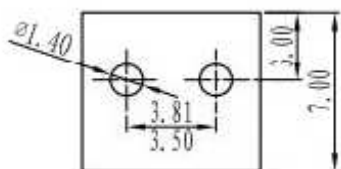
DRW:	Jason	CHKD	Wilson	MATL:	Wilson	TOLERANCE	Mason	DATE	26.05.2014
APPD:	Schumi			FINISH	Jamy		Sheet No.	1 from 4	

EDCON-COMPONENTS



PCB Layout (Dimension in mm)

Dimensions (mm)



	A[mm]		A[mm]
02P	7.6	14P	49.6
03P	11.1	15P	53.1
04P	14.6	16P	56.6
05P	18.1	17P	60.1
06P	21.6	18P	63.6
07P	25.1	19P	67.1
08P	28.6	20P	70.6
09P	32.1	21P	74.1
10P	35.6	22P	77.6
11P	39.1	23P	81.1
12P	42.6	24P	84.6
13P	46.1		

Screwless Terminal Block

Part No.: **A14G016**

Customer:

DRW:	Jason	CHKD	Wilson	MATL:	Wilson	TOLERANCE	Mason	DATE	26.05.2014
APPD:	Schumi			FINISH	Jamy		Sheet No.	2 from 4	

EDCON-COMPONENTS



Ordering Informations

Serie	No. of Pos.	Body Color	Approval	Approval Code	ROHS	Packing	EDCON Cust. No.	Customer Version		
-------	-------------	------------	----------	---------------	------	---------	-----------------	------------------	--	--

A14G016	02	GN	N	N	R	B				
----------------	-----------	-----------	----------	----------	----------	----------	--	--	--	--

Pitch: 3,50	02 = Number of Pos. Standard 2 ~ 24Pos.	GY = Gray (Standard) GN = Green OR = Orange BK = Black	N = No Approval 1 = Approval for Material 2 = Approval for Terminal Block	N = NON Approval A = UL /UR Approval Please consult EDCON for available B = VDE Approval Please consult EDCON for available C = TÜV Approval Please consult EDCON for available	R = ROHS Conform N = NON ROHS Conform	B = Standard Package I = Individual Package	xxxxxx = Customer Number	xxx = Customer Version ??(Printing)		
----------------	---	---	--	--	--	--	---------------------------------	--	--	--

Screwless Terminal Block
Part No.: A14G016
Customer:

DRW:	Jason	CHKD	Wilson	MATL:	Wilson	TOLERANCE	Mason	DATE	26.05.2014
APPD:	Schumi			FINISH	Jamy		Sheet No.		3 from 4



Soldering Profile Curve

Classification Reflow Profile (JEDEC J-STD-020C)



Screwless Terminal Block

Part No.: **A14G016**

Customer:

DRW:	Jason	CHKD	Wilson	MATL:	Wilson	TOLERANCE	Mason	DATE	26.05.2014
APPD:	Schumi			FINISH	Jamy		Sheet No.	4 from 4	