

Data Sheet

Screwless Terminal Block

Pitch: 3,50 mm

Serie: A14G003

Customer Information for special Item

EDCON Customer : 0

Customer Version No. : 0

EDCON-COMPONENTS



Technical Discription

Drawing (Dimension in mm)

Electrical

Standard	cUL	VDE
Rated voltage	AC 300V	
Rated current	10A	
Wire range	24-16 AWG	

Mechanical

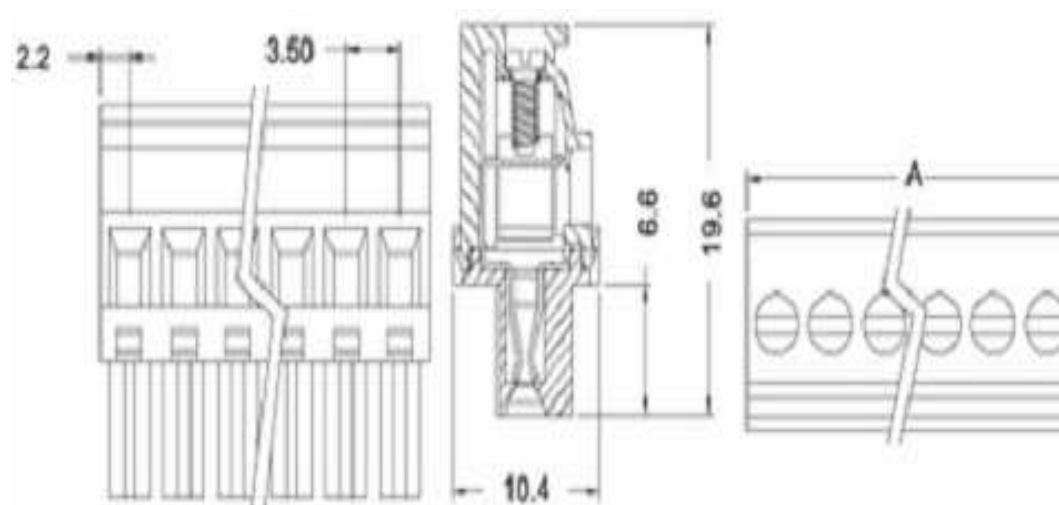
Ambient temperature	-40°C ~ +105°C
Screw, Torque	M2, 0.34Nm (3.0Lb-In.)

Dimensions

Pitch	3.50mn
Poles	2P - 24P

Material

Housing	PA66 (UL94V-0)
Pin header	Phosphor Bronze, Tin plated
Screw	steel, Ni-plated
Cage clamp	Brass, Ni-plated



Screwless Terminal Block

Part No.: **A14G003**

Customer:

DRW:	Jason	CHKD	Wilson	MATL:	Wilson	TOLERANCE	Mason	DATE	26.05.2014
APPD:	Schumi			FINISH	Jamy		Sheet No.	1 from 4	

EDCON-COMPONENTS



PCB Layout (Dimension in mm)

Dimensions (mm)

	A[mm]		A[mm]
02P	7.8	14P	49.8
03P	11.3	15P	53.3
04P	14.8	16P	56.8
05P	18.3	17P	60.3
06P	21.8	18P	63.8
07P	25.3	19P	67.3
08P	28.8	20P	70.8
09P	32.3	21P	74.3
10P	35.8	22P	77.8
11P	39.3	23P	81.3
12P	42.8	24P	84.8
13P	46.3		

Screwless Terminal Block	
Part No.:	A14G003
Customer:	

DRW:	Jason	CHKD	Wilson	MATL:	Wilson	TOLERANCE	Mason	DATE	26.05.2014
APPD:	Schumi			FINISH	Jamy		Sheet No.	2 from 4	

EDCON-COMPONENTS



Ordering Informations

Serie	No. of Pos.	Body Color	Approval	Approval Code	ROHS	Packing	EDCON Cust. No.	Customer Version		
A14G003	02	GN	N	N	R	B				

Pitch
3,50

02= Number of Pos. Standard 2 ~ 24Pos.	GY= Gray (Standard)	N= No Approval	N= NON Approval	R= ROHS Conform	B= Standard Package	xxxxxx= Customer Number	xxx= Customer Version ??(Printing)
	GN= Green	1= Approval for Material	A= UL /UR Approval Please consult EDCON for available	N= NON ROHS Conform	I= Individual Package		
	OR= Orange	2= Approval for Terminal Block	B= VDE Approval Please consult EDCON for available				
	BK= Black		C= TÜV Approval Please consult EDCON for available				

Screwless Terminal Block	
Part No.:	A14G003
Customer:	

DRW:	Jason	CHKD	Wilson	MATL:	Wilson	TOLERANCE	Mason	DATE	26.05.2014
APPD:	Schumi			FINISH	Jamy		Sheet No.		3 from 4



Soldering Profile Curve

Classification Reflow Profile (JEDEC J-STD-020C)



Screwless Terminal Block

Part No.: **A14G003**

Customer:

DRW:	Jason	CHKD	Wilson	MATL:	Wilson	TOLERANCE	Mason	DATE	26.05.2014
APPD:	Schumi			FINISH	Jamy		Sheet No.	4 from 4	