

Data Sheet

Pluggable Terminal Block (Plug)

Pitch: 3,50 mm

Serie: A14G002

Customer Information for special Item

EDCON Customer : 0

Customer Version No. : 0

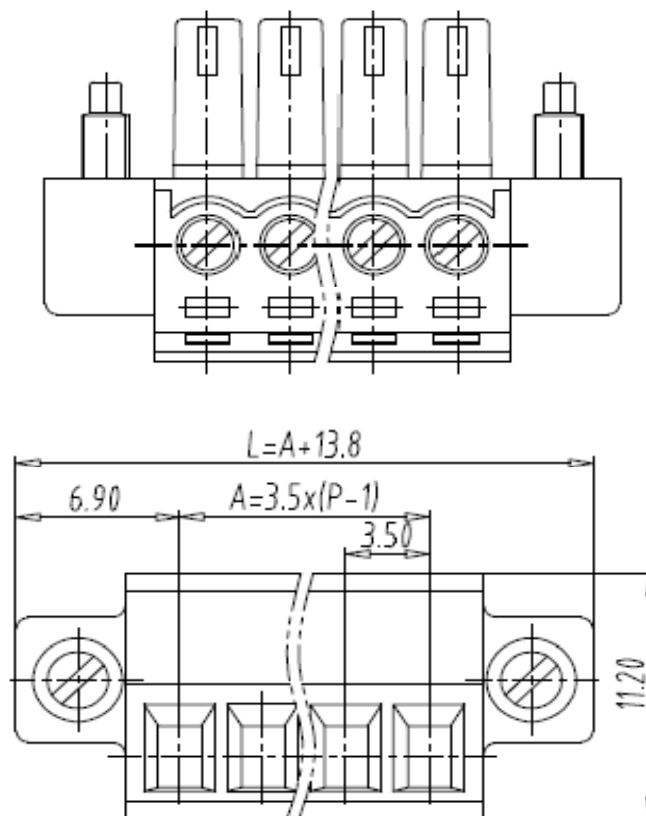
EDCON-COMPONENTS



Technical Discription

	UL	IEC	VDE
Electrical			
Rated Voltage	300Volt	300Volt	300Volt
Rated Current	10A	10A	10A
Wire Range		0,2~1,5mm ²	0,2~1,5mm ²
Wire Range AWG-Size	26~16		
Mechanical			
Withstanding Voltage	2,5KV	2,5KV	2,5KV
Insulation Resistance	5000MΩ / 1KV	5000MΩ / 1KV	5000MΩ / 1KV
Operating Temperature		-40°C ~ +105°C	
Wire Strip Length		6-7mm	
Screw Torque		3,5	
Screw Size		M2	
Dimensions			
Pitch (mm)		3,50	
Poles		2 ~ 24 Pos.	
Materials			
Terminal Housing		Thermoplastic, UL94V-0	
Pin Header		Brass Tin Plated	
Screw		Steel Ni-plated / Zinc Plated	
Cage		Brass Ni Plated	

Drawing (Dimension in mm)



Unspecified Tolerance (mm)				
X.	X.x	X.xx	X.xxx	X.xxxx
0,35	0,25	0,2	0,15	
DRW:	Jason	CHKD	Wilson	MATL:
APPD:	Schumi			FINISH
				Jamy
				Mason
				DATE
				04.06.2021
				Sheet No.
				1 from 3

Pluggable Terminal Block (Plug)

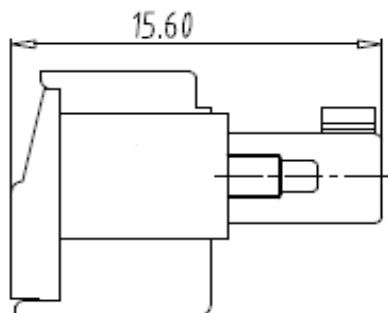
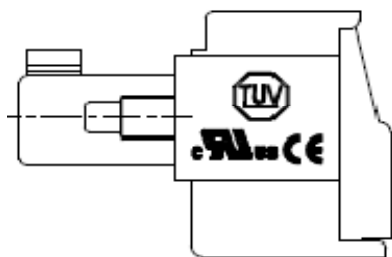
Part No.: **A14G002**

Customer:

EDCON-COMPONENTS



Dimension Tolerance (mm)



**Pluggable Terminal Block
(Plug)**

Part No.: **A14G002**

Customer:

DRW:	Jason	CHKD	Wilson	MATL:	Wilson	TOLERANCE	Mason	DATE	04.06.2021
APPD:	Schumi			FINISH	Jamy		Sheet No.	2 from 3	

www.edcon-components.com

email: info@edcon-components.com



EDCON-COMPONENTS



Ordering Informations

Serie	No. of Pos.	Body Color	Screw Type	Approval Code	ROHS	Packing	EDCON Cust. No.	Customer Version		
A14G002	02	PG	N	N	R	B				

Pitch
3,50

02 = Number of Pos. Standard 2 ~ 24Pos.	PG = Phoenix Green (Standard)	N = Slotted Screw Type (Standard) 	N = NON Approval	R = ROHS Conform	B = Bulk-Ware I = Individual Package	xxxxxx = Customer Number	xxx = Customer Version ??(Printing)
	WH = White		A = UL /UR Approval Please consult EDCON for available	N = NON ROHS Conform			
	GN = Green	B = Cross Slotted Screw Type 	B = VDE Approval Please consult EDCON for available				
	GY = Gray						
	LG = Light Gray	C = Screwless Type	C = TÜV Approval Please consult EDCON for available				
	OR = Orange						
	BL = Blue						
BK = Black							

Pluggable Terminal Block (Plug)

Part No.: **A14G002**

DRW:	Jason	CHKD	Wilson	MATL:	Wilson	TOLERANCE	Mason	DATE	04.06.2021
APPD:	Schumi			FINISH	Jamy		Sheet No.	3 from 3	Customer: