

# EDCON-COMPONENTS

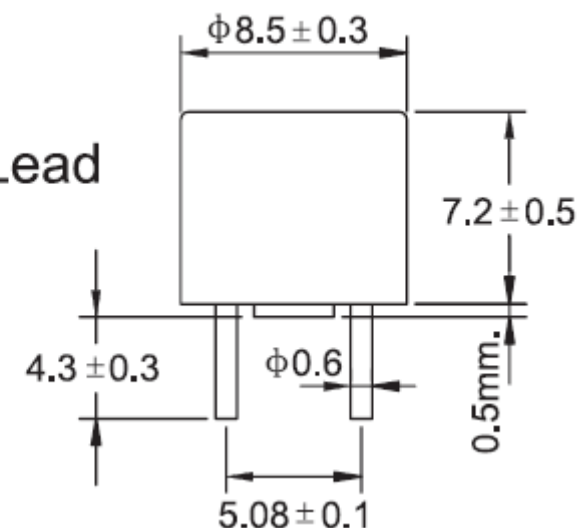


## Technical Discription

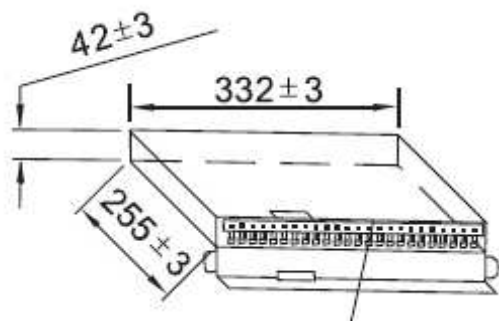
<b>Standard:</b>	IEC 60127, GB 9364
Operating Temperature:	. -55°C ~ + 125°C
Storage Temperature:	. -55°C ~ + 85°C
Solderability:	245°C ± 5°C 5sec ± 0,5sec
Resistance to Soldering Head:	260°C, 10s. Max.
<b>Electrical Characteristics:</b>	
2,1In	Max. 2 minutes
2,75In	Min 400ms
	Max. 10 seconds
4In	Min. 150ms
	Max. 3 seconds
10In	Min. 20ms
	Max. 150ms
<b>Interrupting Capacity</b>	
CCC/ CQC /SEMKO / VDE / UR / BSI	35A or 10In 250VAC wichever is greater
PSE 100A 250 VAC	
<b>Range Code:</b>	<b>2A00</b>
<b>Range:</b>	<b>2A00= 2,0A</b>

## Drawing (mm)

Short Lead



## TAPE-Box-Packing



## Approvals 250VAC

CCC	YES
CQC	
SEMKO	YES
VDE	YES
URus	YES
BSI	YES
PSE	YES
KC	YES

**8,5mm Round Fuse  
Time Lag**

Part No.: **R25004**

DRW:	Jason	CHKD	Wilson	MATL:	Wilson	TOLERANCE	Mason	DATE	11.05.2014
APPD:	Schumi			FINISH	Jamy		Sheet No.		1 from 4

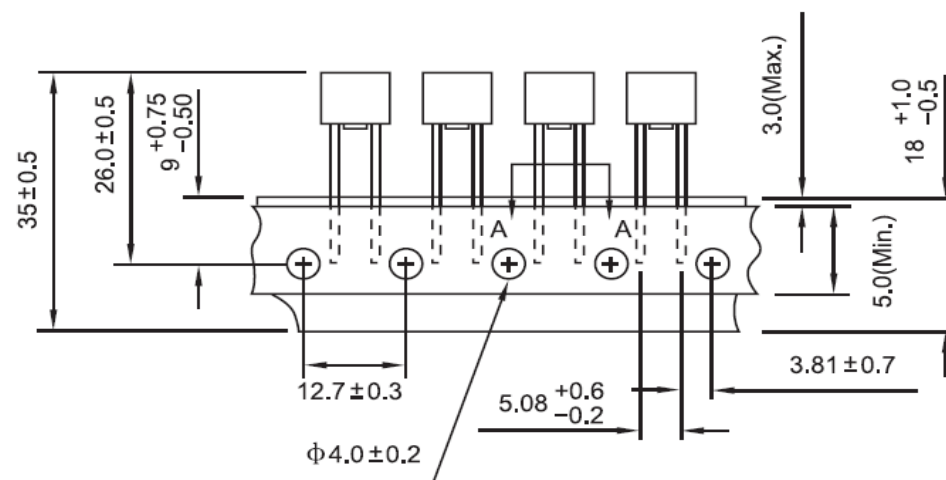
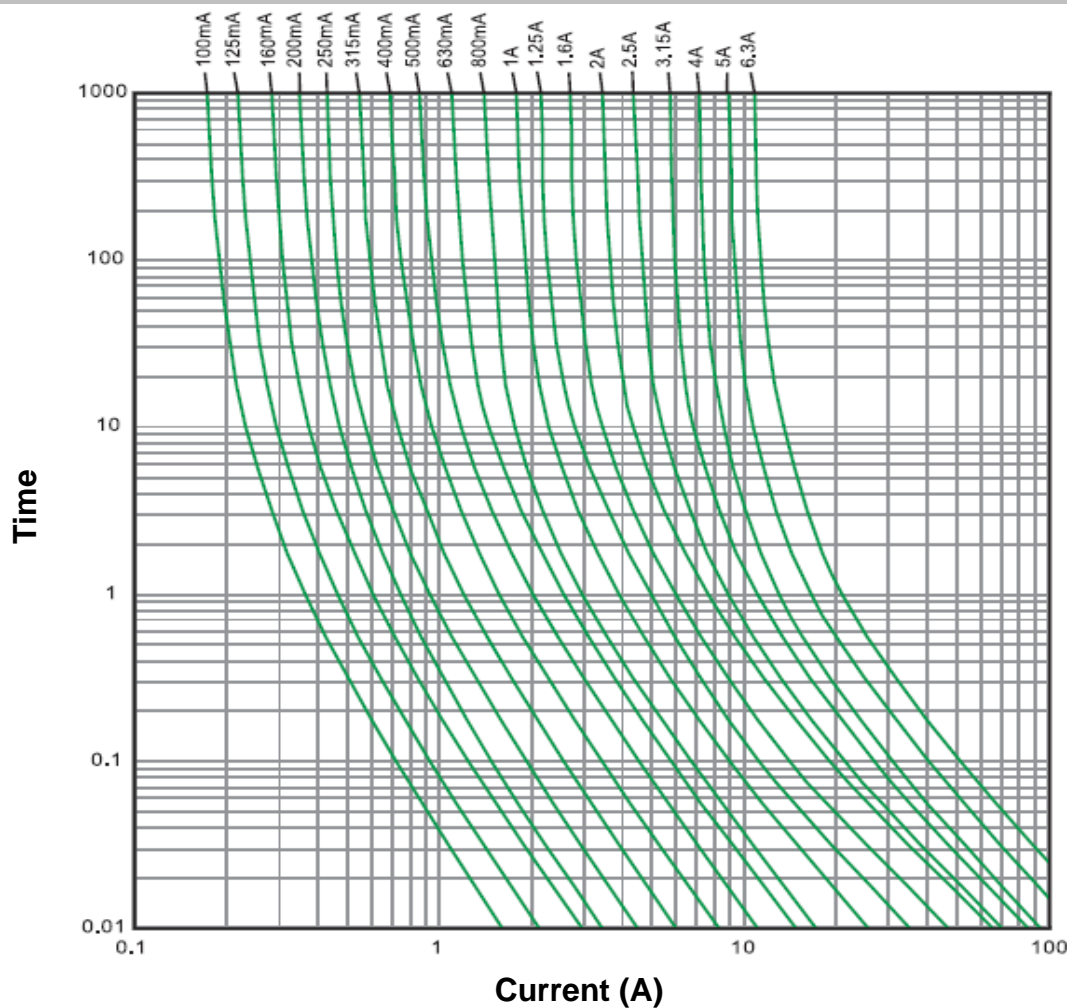
Customer:

# EDCON-COMPONENTS



Current Characteristics Curve

Tape/Box Packing



**8,5mm Round Fuse  
Time Lag**

Part No.: **R25004**

Customer:

DRW:	Jason	CHKD	Wilson	MATL:	Wilson	TOLERANCE	Mason	DATE	11.05.2014
APPD:	Schumi			FINISH	Jamy		Sheet No.	2 from 4	

# EDCON-COMPONENTS



## Ordering Informations

Serie	Range Code	Voltage	ROHS	Packing						
-------	------------	---------	------	---------	--	--	--	--	--	--

<b>R25004</b>	-	<b>2A00</b>	<b>A</b>	<b>R</b>	<b>BL</b>					
---------------	---	-------------	----------	----------	-----------	--	--	--	--	--

<b>2A00= 2,0A</b>	<b>A= 250VAC</b>	<b>R= ROHS Conform</b>	<b>BL Bulk-Ware long Lead</b>
			<b>B4= Bulk-Ware lead length 4mm</b>
			<b>TR= Tape Reel 1000PCS standard</b>

<b>8,5mm Round Fuse Time Lag</b>
Part No.: <b>R25004</b>
Customer:

DRW:	Jason	CHKD	Wilson	MATL:	Wilson	TOLERANCE	Mason	DATE	11.05.2014
APPD:	Schumi			FINISH	Jamy		Sheet No.		3 from 4



Soldering Profile Curve

Classification Reflow Profile (JEDEC J-STD-020C)



**8,5mm Round Fuse  
Time Lag**

Part No.: **R25004**

DRW:	Jason	CHKD	Wilson	MATL:	Wilson	TOLERANCE	Mason	DATE	11.05.2014
APPD:	Schumi			FINISH	Jamy		Sheet No.	4 from 4	Customer: