

EDCON-COMPONENTS

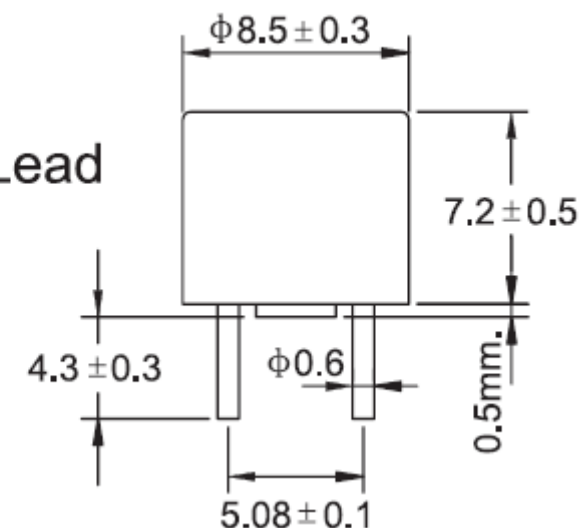


Technical Discription

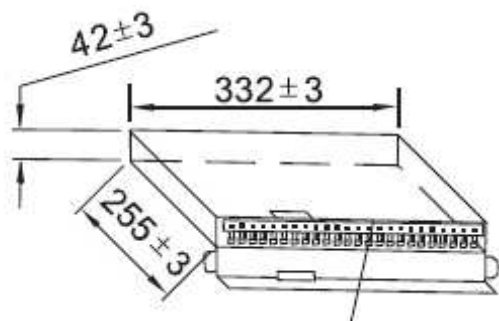
| | |
|------------------------------------|---------------------------------------|
| Standard: | IEC 60127, GB 9364 |
| Operating Temperature: | . -55°C ~ + 125°C |
| Storage Temperature: | . -55°C ~ + 85°C |
| Solderability: | 245°C ± 5°C 5sec ± 0,5sec |
| Resistance to Soldering Head: | 260°C, 10s. Max. |
| Electrical Characteristics: | |
| 2,1In | Max. 30 minutes |
| 2,75In | Min 10ms |
| | Max. 3 seconds |
| 4In | Min. 3ms |
| | Max. 300ms |
| 10In | Max. 20ms |
| Interrupting Capacity | |
| CCC/ CQC /SEMKO / VDE / UR / BSI | 35A or 10In 50VAC wichever is greater |
| PSE 100A 250 VAC | |
| Range Code: | 5A00 |
| Range: | 5A00= 5,0A |

Drawing (mm)

Short Lead



TAPE-Box-Packing



Approvals

| | |
|-------|-----|
| CCC | YES |
| CQC | |
| SEMKO | YES |
| VDE | YES |
| Urus | YES |
| PSE | YES |
| | |
| | |

**8,5mm Round Fuse
Quick Acting**

Part No.: **R25003**

| | | | | | | | | | |
|-------|--------|------|--------|--------|--------|-----------|-----------|------|------------|
| DRW: | Jason | CHKD | Wilson | MATL: | Wilson | TOLERANCE | Mason | DATE | 11.05.2014 |
| APPD: | Schumi | | | FINISH | Jamy | | Sheet No. | | 1 from 4 |

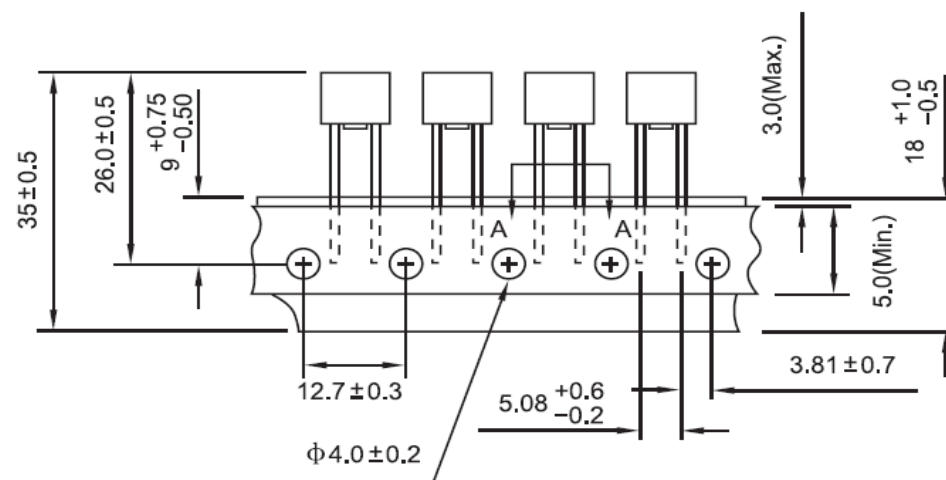
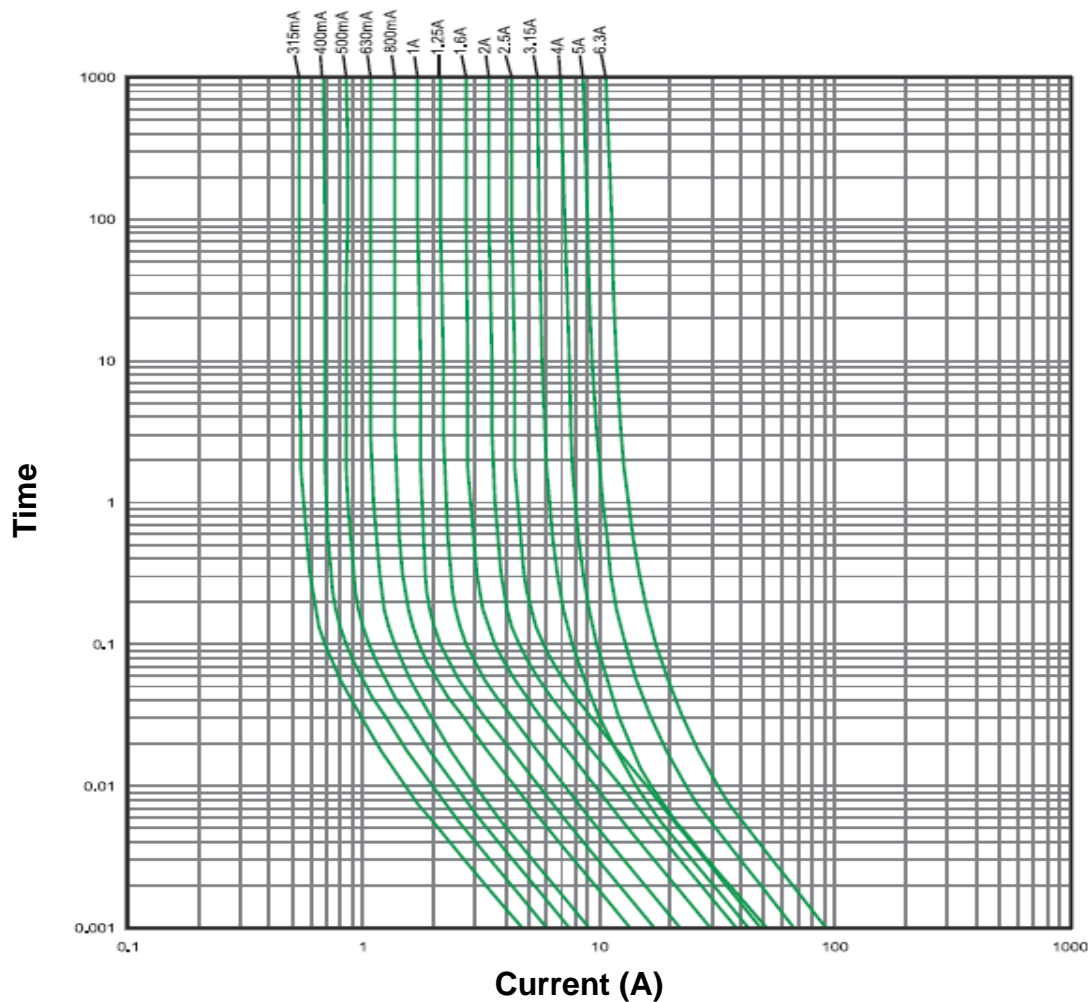
Customer:

EDCON-COMPONENTS



Current Characteristics Curve

Tape/Box Packing



**8,5mm Round Fuse
Quick Acting**

Part No.: **R25003**

| | | | | | | | | | |
|-------|--------|------|--------|--------|--------|-----------|-----------|----------|------------|
| DRW: | Jason | CHKD | Wilson | MATL: | Wilson | TOLERANCE | Mason | DATE | 11.05.2014 |
| APPD: | Schumi | | | FINISH | Jamy | | Sheet No. | 2 from 4 | Customer: |

www.edcon-components.com

email: info@edcon-components.com

EDCON-COMPONENTS



Ordering Informations

| Serie | Range Code | Voltage | ROHS | Packing | | | | | | |
|-------|------------|---------|------|---------|--|--|--|--|--|--|
|-------|------------|---------|------|---------|--|--|--|--|--|--|

| | | | | | | | | | | |
|---------------|---|-------------|----------|----------|-----------|--|--|--|--|--|
| R25003 | - | 5A00 | A | R | BL | | | | | |
|---------------|---|-------------|----------|----------|-----------|--|--|--|--|--|

| | | | |
|-------------------|------------------|------------------------|---------------------------------------|
| 5A00= 5,0A | A= 250VAC | R= ROHS Conform | BL Bulk-Ware long Lead |
| | | | B4= Bulk-Ware lead length 4mm |
| | | | TR= Tape Reel 1000PCS standard |

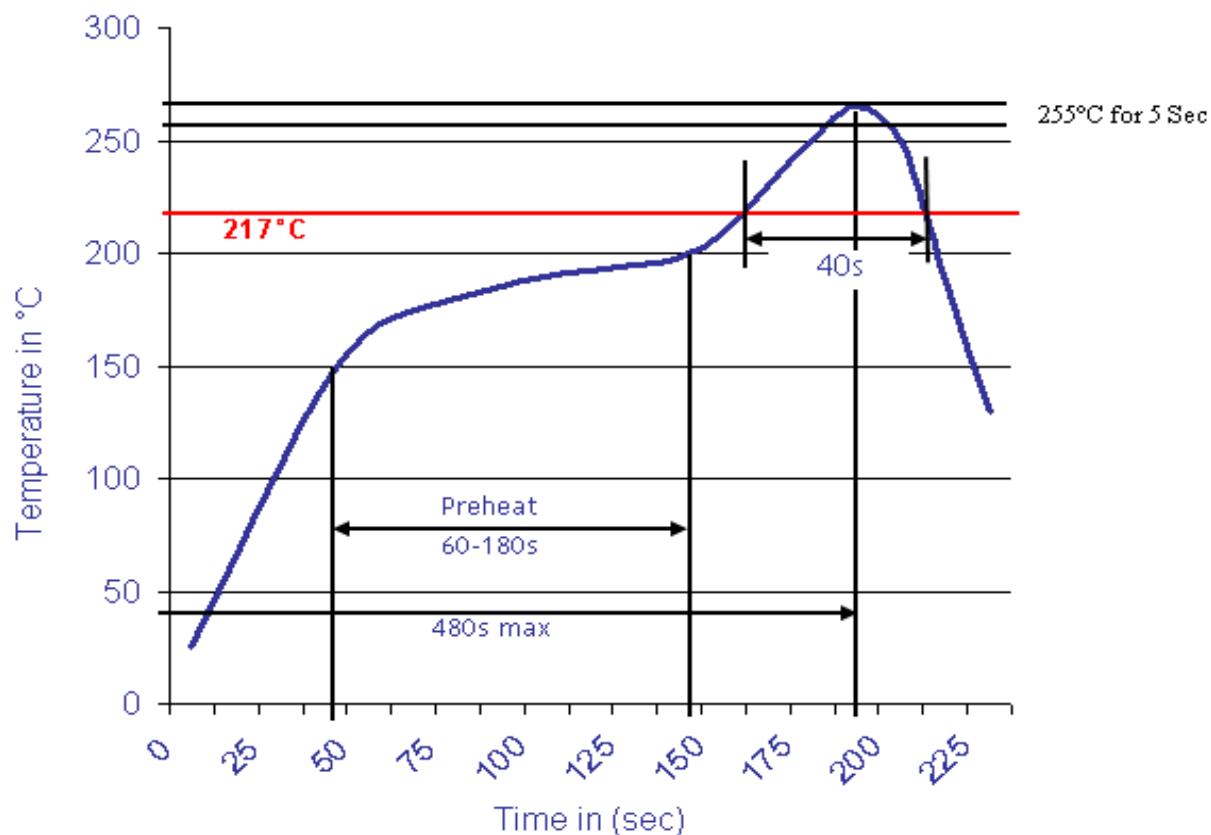
| |
|--------------------------------------|
| 8,5mm Round Fuse Quick Acting |
| Part No.: R25003 |
| Customer: |

| | | | | | | | | | |
|-------|--------|------|--------|--------|--------|-----------|-----------|------|------------|
| DRW: | Jason | CHKD | Wilson | MATL: | Wilson | TOLERANCE | Mason | DATE | 11.05.2014 |
| APPD: | Schumi | | | FINISH | Jamy | | Sheet No. | | 3 from 4 |



Soldering Profile Curve

Classification Reflow Profile (JEDEC J-STD-020C)



**8,5mm Round Fuse
Quick Acting**

Part No.: **R25003**

| | | | | | | | | | |
|-------|--------|------|--------|--------|--------|-----------|-----------|----------|------------|
| DRW: | Jason | CHKD | Wilson | MATL: | Wilson | TOLERANCE | Mason | DATE | 11.05.2014 |
| APPD: | Schumi | | | FINISH | Jamy | | Sheet No. | 4 from 4 | Customer: |