

EDCON-COMPONENTS



Material

Shield: Brass
 Finish: 10~20µ inches Nickel over 10~20µ inches Brass
 Contact: Phosphor Bronze
 Material: Phosphor Bronze
 Plating Area: Nickel underplating and selective gold plating 30µ inches
 Solder Area: Tin matte finish
 Housing: Thermoplastic UL94V-0
 Material: Thermoplastic UL94V-0
 Operating Temp.: -40°C to + 85°C
 Mating Force: 5 lbs./2.268 kgs.
 Unmating Force: 5 lbs./2.268 kgs.
 Durability: 750 Insertions

Features

RoHS peak wave solder temperature rating 260°C
 Suitable for CAT 5 & 6 Fast Ethernet Cable or better UTP
 Internal magnetics are 100% electrically tested for HI-POT and functionality
 Internal magnetics options available
 350µH minimum OCL with 8mA bias current
 High performance for maximum EMI suppression

Electrical Specifications

Bicolour LED Left G/Y Right G/Y

Ports 4

| | |
|--|----------------|
| Insertion Loss (dB) | 1-65Mhz / -1 |
| | 1-10Mhz / -20 |
| | 10-30Mhz / -30 |
| | 30-60Mhz / -12 |
| Return Loss (dB TYPE) 100Ω (±15Ω) | 60-80Mhz / -12 |

| | |
|---------------------------|-----|
| Crosstalk (dB TYP) | |
| 1~30Mhz | -40 |
| 30~60Mhz | -35 |
| 60~100Mhz | -30 |

| | |
|---------------------------------------|-----|
| Commun Mode Rejection (dB TYP) | |
| 1~50Mhz | -30 |
| 50~150Mhz | -20 |

| |
|--|
| PCB Modular Jack with shield with feder 100 Base-TX |
| Part No.: T91A21028- |
| Customer: |

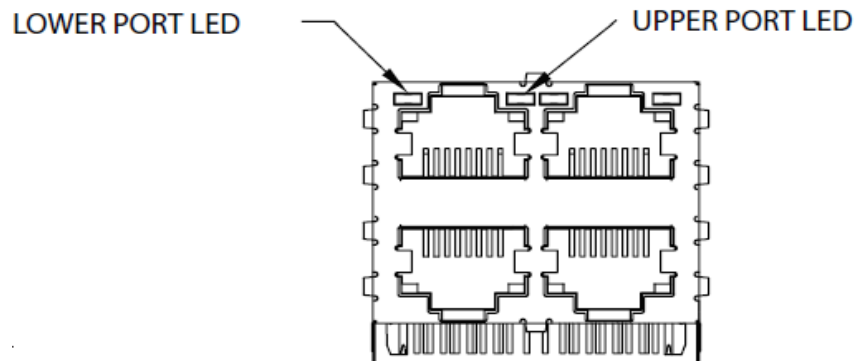
| | | | | | | | | | |
|-------|-------|------|------|--------|------|-----------|-----------|------|------------|
| DRW: | John | CHKD | Tony | MATL: | Tony | TOLERANCE | Su | DATE | 01.10.2020 |
| APPD: | Jimmy | | | FINISH | Jeff | | Sheet No. | | 1 from 6 |

www.edcon-components.com

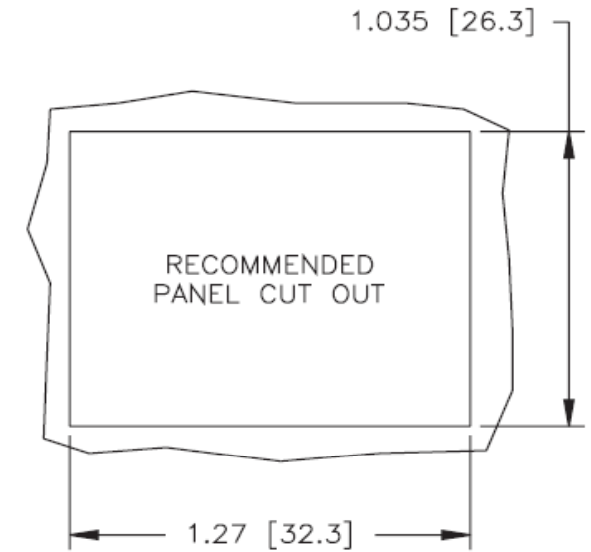
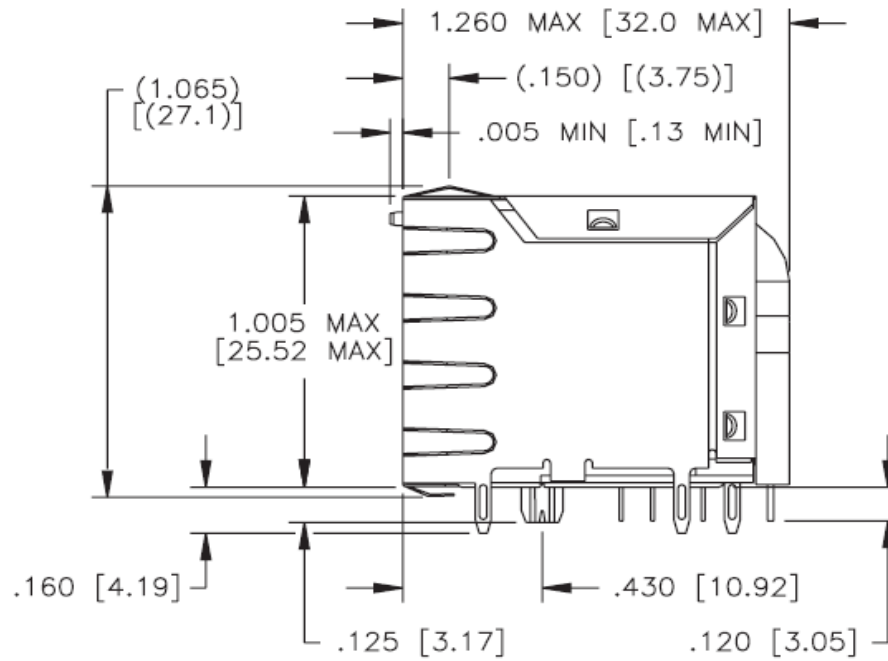
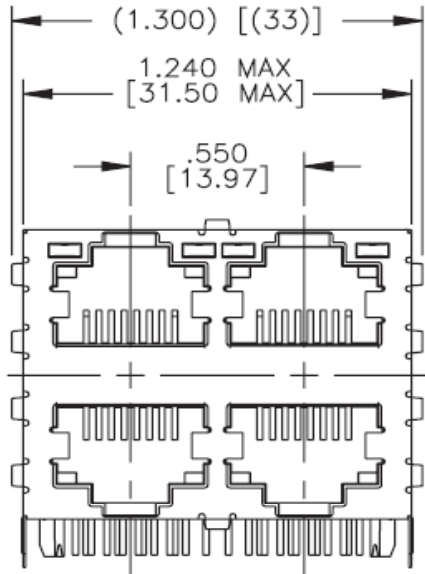
email: info@edcon-components.com

PCB Layout

100 Base-TX (Fast Ethernet) RJ45 2xN Integrated Connector Module (ICM) with or without LEDs - Designed to support Switch and Gateway applications.



EDCON-COMPONENTS



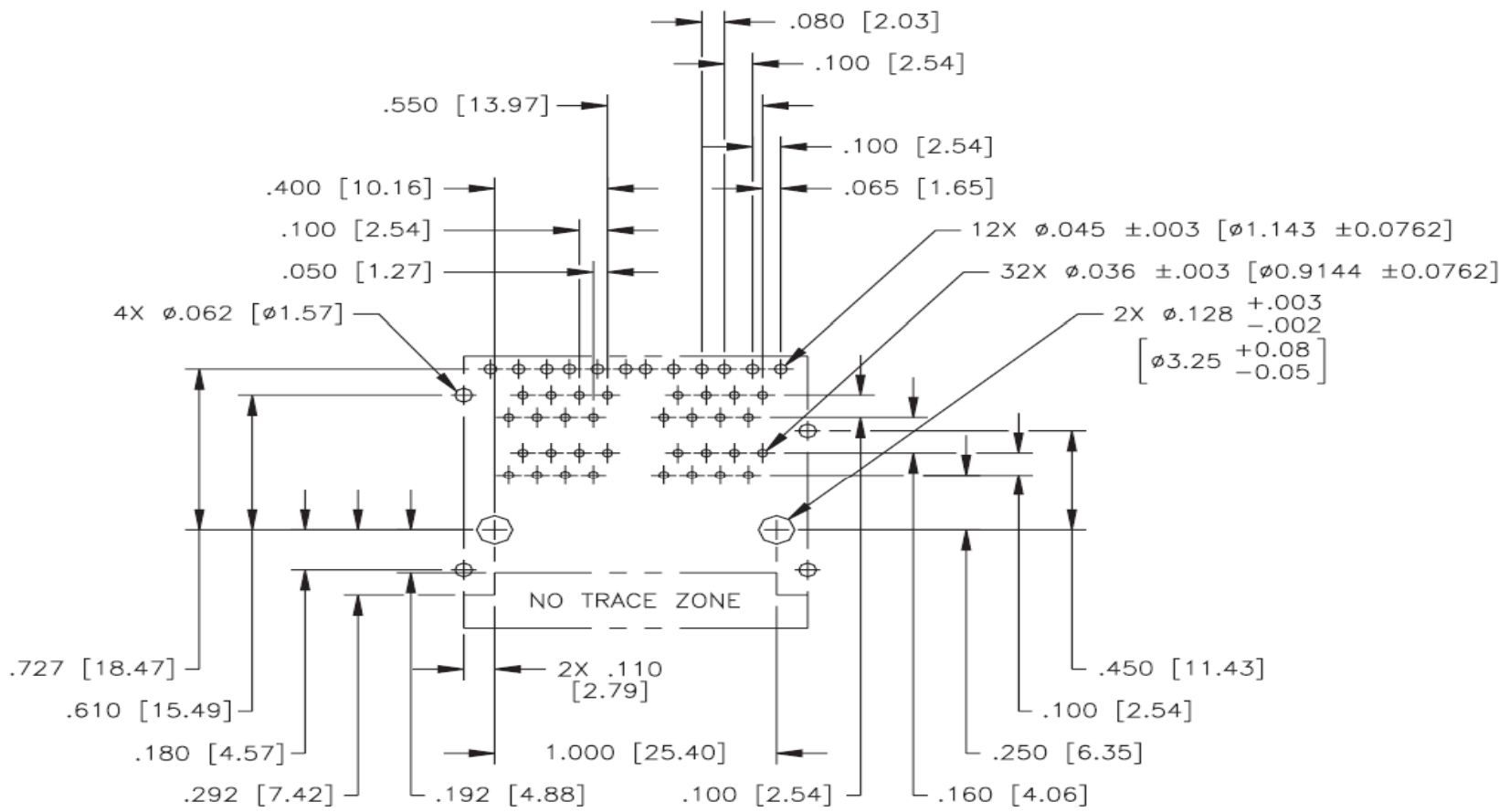
**PCB Modular Jack with shield
with feder 100 Base-TX**

Part No.: **T91A21028-**

Customer:

| | | | | | | | | | |
|-------|-------|------|------|--------|------|-----------|-----------|----------|------------|
| DRW: | John | CHKD | Tony | MATL: | Tony | TOLERANCE | Su | DATE | 01.10.2020 |
| APPD: | Jimmy | | | FINISH | Jeff | | Sheet No. | 2 from 6 | |

EDCON-COMPONENTS



| | |
|--|-------------------|
| PCB Modular Jack with shield with feder 100 Base-TX | |
| Part No.: | T91A21028- |
| Customer: | |

| | | | | | | | | | |
|-------|-------|------|------|--------|------|-----------|-----------|------|------------|
| DRW: | John | CHKD | Tony | MATL: | Tony | TOLERANCE | Su | DATE | 01.10.2020 |
| APPD: | Jimmy | | | FINISH | Jeff | | Sheet No. | | 3 from 6 |

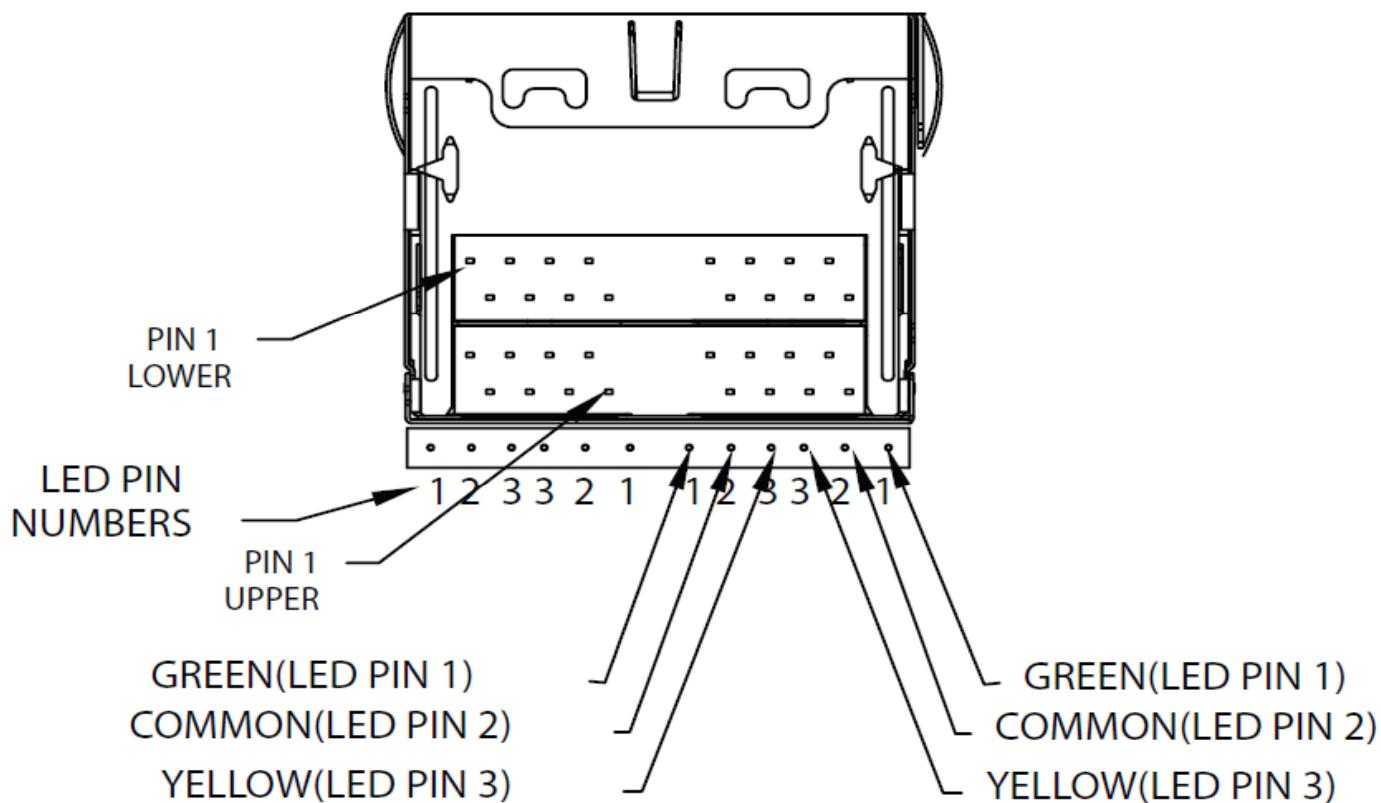
www.edcon-components.com

email: info@edcon-components.com

EDCON-COMPONENTS



PCB Layout viewed from Component side (Dimensions inches/ (mm) Unless otherwise specified all tolerances $\pm 0,10$ (0,25)



| | |
|--|-------------------|
| PCB Modular Jack with shield with feder 100 Base-TX | |
| Part No.: | T91A21028- |
| Customer: | |

| | | | | | | | | | |
|-------|-------|------|------|--------|------|-----------|-----------|----------|------------|
| DRW: | John | CHKD | Tony | MATL: | Tony | TOLERANCE | Su | DATE | 01.10.2020 |
| APPD: | Jimmy | | | FINISH | Jeff | | Sheet No. | 4 from 6 | |

www.edcon-components.com

email: info@edcon-components.com

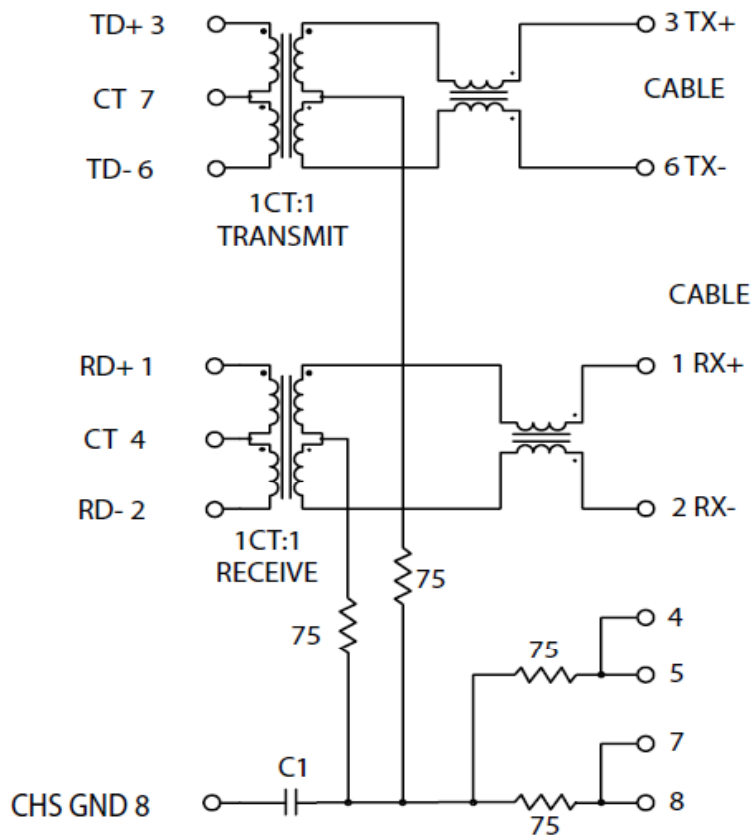
Copyright by S.Tiede



Electrical Schematics

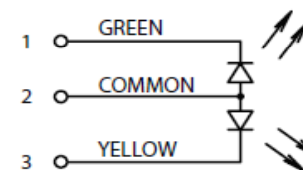
PCB SIDE

CABLE SIDE



SCHMATIC

LED Configuration



LED ELECTRICAL SPECIFICATIONS

| | GREEN | YELLOW |
|--|----------------|------------------|
| EMMITTED COLOR | GREEN | YELLOW |
| WAVE LENGTH (If = 20 mA) | 570 nm | 590 nm |
| BRIGHTNESS - MIN TO MAX (mcd) If - (mA) | 5 TO 12 20 | 3.5 TO 8.5 20 |
| VIEWING ANGLE | 120° | 120° |
| POWER DISSIPATION (Pd) | 85 mW MAXIMUM | 85 mW MAXIMUM |
| FORWARD CURRENT (0.1 mS PULSE) | 160 mA MAXIMUM | 160 mA MAXIMUM |
| FORWARD VOLTAGE (Vf) (If = 20 mA) | 2.8 V MAXIMUM | 2.8 V MAXIMUM |

**PCB Modular Jack with shield
with feder 100 Base-TX**

Part No.: **T91A21028-**

| | | | | | | | | | |
|-------|-------|------|------|--------|------|-----------|-----------|------|------------|
| DRW: | John | CHKD | Tony | MATL: | Tony | TOLERANCE | Su | DATE | 01.10.2020 |
| APPD: | Jimmy | | | FINISH | Jeff | | Sheet No. | | 5 from 6 |

Customer:

EDCON-COMPONENTS



Ordering Inforamtions

| Serie | No. Of Positions | No. Of Contact | Contact Plating | Special function | Special function | LED Left Side | LED Right Side | ROHS | Packing | |
|-------------------|------------------|----------------|-----------------|------------------|------------------|---------------|----------------|----------|-----------|--|
| T91A21028- | 08 | 08 | GF | N | N | N | N | R | TY | |

| | | | | | | | | |
|-------------------|------------------------------|---|-------------------------------|-------------------------------|-------------------------------|-------------------------------|--|---|
| 08= 8 Pos. | 08= 8 Pos. connecting | GF= Gold Flash GA= 3 μ Gold Plating GB= 6 μ Gold Plating GC= 15 μ Gold Plating GD= 30 μ Gold Plating GE= 50 μ Gold Plating | N= No special function | N= No special function | N= No special function | N= No special function | R= ROHS conform N= NON ROHS conform | TY= Tray Packing BU= Bulk-Ware |
|-------------------|------------------------------|---|-------------------------------|-------------------------------|-------------------------------|-------------------------------|--|---|

| |
|--|
| PCB Modular Jack with shield with feder 100 Base-TX |
| Part No.: T91A21028- |
| Customer: |

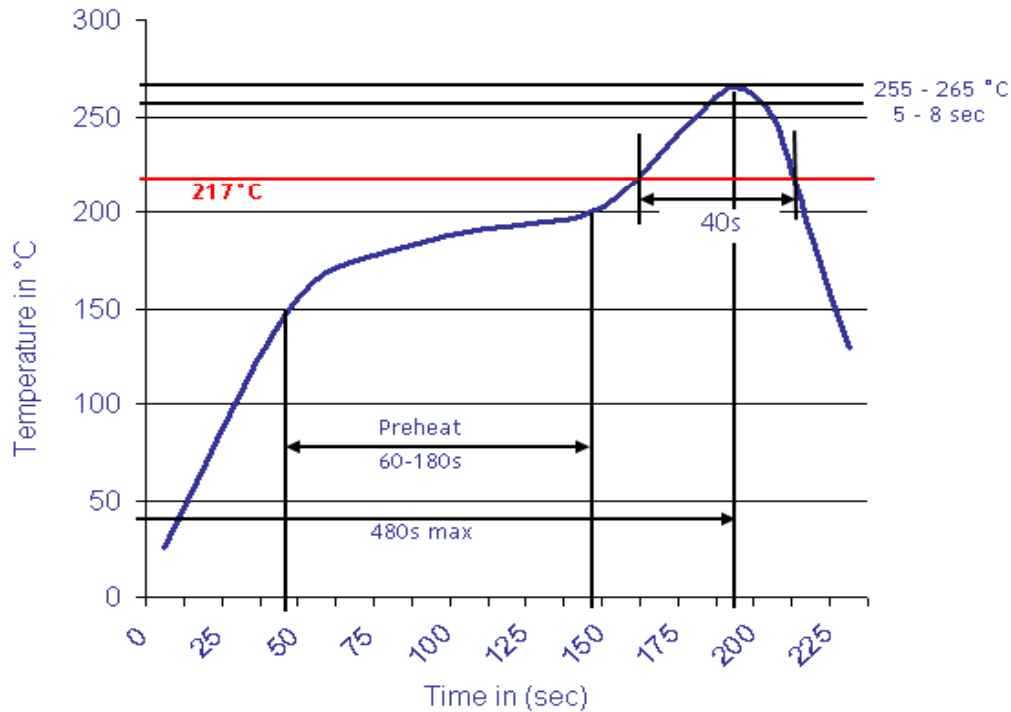
| | | | | | | | | | |
|-------|-------|------|------|--------|------|-----------|-----------|------|------------|
| DRW: | John | CHKD | Tony | MATL: | Tony | TOLERANCE | Su | DATE | 01.10.2020 |
| APPD: | Jimmy | | | FINISH | Jeff | | Sheet No. | | 5 from 6 |



Soldering Profile Curve

Lead Free Soldering Curve

Classification Reflow Profile (JEDEC J-STD-020C)



| |
|--|
| PCB Modular Jack with shield with feder 100 Base-TX |
| Part No.: T91A21028- |
| Customer: |

| | | | | | | | | | |
|-------|-------|------|------|--------|------|-----------|-----------|----------|------------|
| DRW: | John | CHKD | Tony | MATL: | Tony | TOLERANCE | Su | DATE | 01.10.2020 |
| APPD: | Jimmy | | | FINISH | Jeff | | Sheet No. | 6 from 6 | |