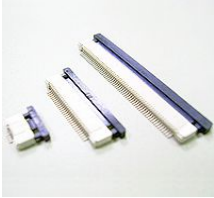


EDCON-COMPONENTS



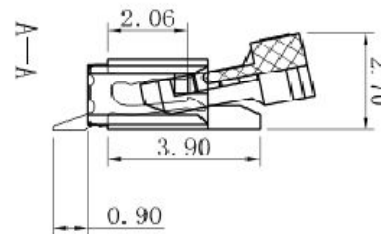
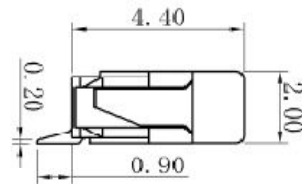
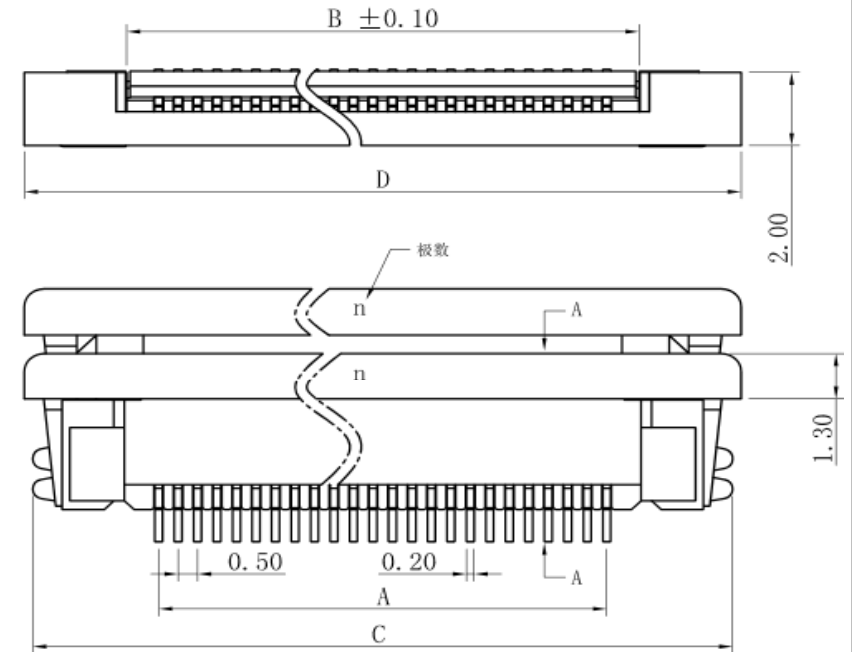
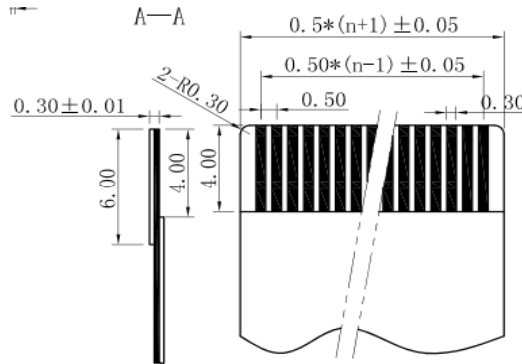
Contact



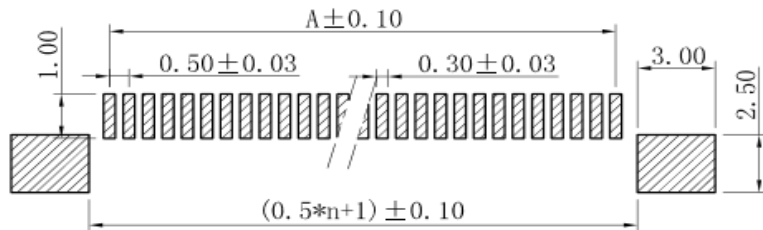
Specifications

Material Housing	Thermoplastic High Temp UL94V-0 Color Natural
Material Latch:	Thermoplastic High Temp UL94V-0 Color Black
Terminal:	Copper Alloy
Fitting Nail:	Copper Alloy
Plating Finish:	Matt Tin or Gold flash overall
Fitting Nail:	Matt Tin overall
Electrical:	
Current Rating:	0,4A/AC/DC
Voltage Rating:	50V AC/DC
Temperature Range:	- 25°C ~ +85°C
Contact Resistance:	40m Ohm max.
Insulation Resistance:	500M Ohm min.
Withstanding Voltage:	250V AC/Minute
Relative Humidity:	90% max.

Drawing



P.C.B Layout



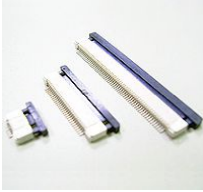
**FFC/FPC Connector Pitch
0,5mm BOTTEM Contact**

Part No.: **T28H017-**

Customer:

DRW:	Jason	CHKD	Wilson	MATL:	Wilson	TOLERANCE	Mason	DATE	02.06.2024
APPD:	Schumi			FINISH	Jamy		Sheet No.		1 from 4

EDCON-COMPONENTS



Ordering Informations

Serie	No. of Pos.	Construction	Contact Plating	Material	Special function	Special function	ROHS	Packing		
T28H017-	xx	RS	T0	TP	0	0	R	TR		

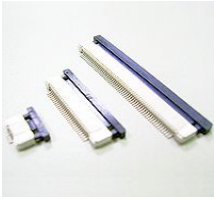
XX= total		G0 = Gold Flash		0 = No function	0 = No function	N =NON ROHS conform	
		T0 = Tin plated	TP = themoplastic UL94V-0				TU = Tube
							R =ROHS conform
	RS = Right angle SMT						

FFC/FPC Connector Pitch 0,5mm BOTTEM Contact	
Part No.:	T28H017-
Customer:	

DRW:	Jason	CHKD	Wilson	MATL:	Wilson	TOLERANCE	Mason	DATE	02.06.2024
APPD:	Schumi			FINISH	Jamy		Sheet No.		3 from 4

www.edcon-components.com

email: info@edcon-components.com

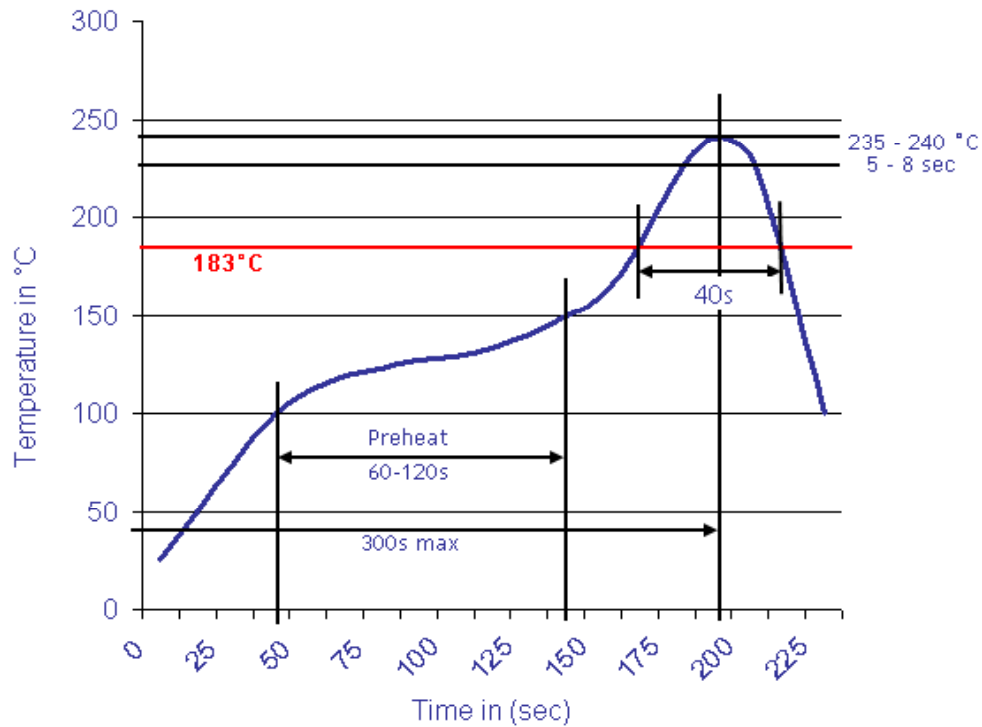


Contact



Lead Free Solder Curve

Classification Reflow Profile (JEDEC J-STD-020C)



**FFC/FPC Connector Pitch
0,5mm BOTTEM Contact**

Part No.: **T28H017-**

DRW:	Jason	CHKD	Wilson	MATL:	Wilson	TOLERANCE	Mason	DATE	02.06.2024	Customer:
APPD:	Schumi			FINISH	Jamy		Sheet No.	4 from 4		

www.edcon-components.com

email: info@edcon-components.com