



DATA SHEET

Panel DC-Connector

Serie: T19E019

Panel DC-Connector

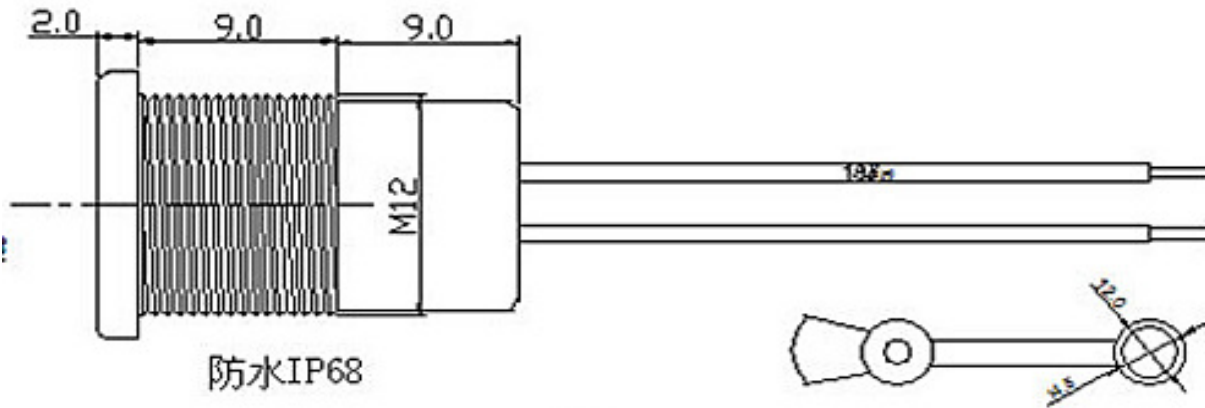
Serie No.: **T19E019**

Customer:

DRW:	Jason	CHKD	Wilson	MATL:	Wilson	TOLERANCE	Mason	DATE	18.06.2024
APPD:	Schumi			FINISH	Jamy			Sheet No.	1 from 4



Technical Dimensions

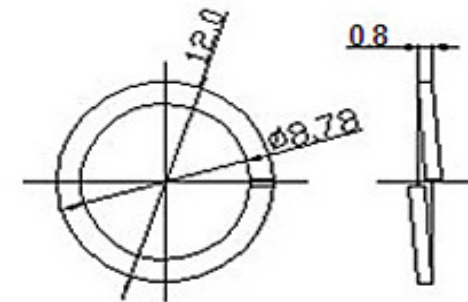
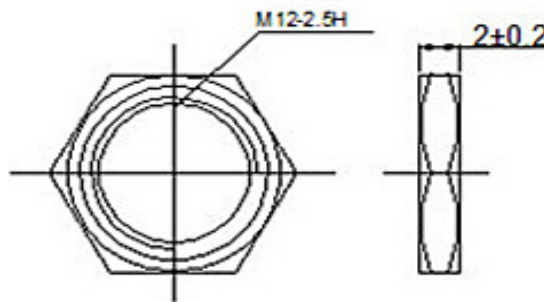
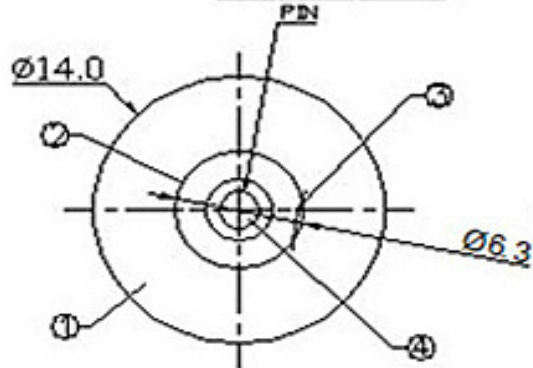


SCHEMATIC



防水IP68

PIN	∅2.0	∅2.5
APPG		



Panel DC-Connector

Part No.: **T19E019**

Customer:

DRW:	Jason	CHKD	Wilson	MATL:	Wilson	TOLERANCE	Mason	DATE	18.06.2024
APPD:	Schumi			FINISH	Jamy		Sheet No.	2 from 4	

EDCON-COMPONENTS



Technical Description

WTB-Connector Type X

Operating Temperature:	. -25°C ~ + 85°C
max. Voltage Load (V):	DC 50V
max. Rated Load (A):	DC 10A
Contact Resistance:	< 0,03 Ohm
Insulation Resistance:	> 100 M Ohm
Withstanding Voltage:	VAC 500V (50Hz) 1min.
Actuating Force:	3 ~20N
Lifetime:	5000 cycles
Pin Dimension:	2,0mm / 2,5mm
Material Housing:	PA6T, UL94V0
Material Contact:	Brass or copper alloy
Wire ends	5mm tinned ends

No.	Description	Material	Plating
4	Pin	H50 Brass	Ni-Plating
3	Spring	Brass	Ni-Plating
2	Flat-Piece	H62 Brass	Ni-Plating
1	Housing	PA66	Plating

Panel DC-Connector

Part No.: **T19E019**

Customer:

DRW:	Jason	CHKD	Wilson	MATL:	Wilson	TOLERANCE	Mason	DATE	18.06.2024
APPD:	Schumi			FINISH	Jamy		Sheet No.	3 from 4	

EDCON-COMPONENTS



Ordering Informations

Serie	Pin Diameter	Contact Material	Contact Plating	Cable Length	Connector Type	ROHS	Packing Code			
-------	--------------	------------------	-----------------	--------------	----------------	------	--------------	--	--	--

T19E019	A	BR	TN	A	A00	R	BU			
----------------	----------	-----------	-----------	----------	------------	----------	-----------	--	--	--

A= 2,0mm	BR= Brass	TN= Tinned	A= 300mm	A00= 5mm tinned ends	R= ROHS Conform	BU= Bulk Ware
B= 2,5mm			B= 400mm	A01= 2Pos. WTB-Connector Type 1		
			C= 500mm	A02= 2Pos. WTB-Connector Type 2	N= NON ROHS Conform	
			D= 1000mm	A03= 2Pos. WTB-Connector Type 3		
				A04= 2Pos. WTB-Connector Type 4		
				A05= Cutted ends		

Panel DC-Connector	
Part No.:	T19E019
Customer:	

DRW:	Jason	CHKD	Wilson	MATL:	Wilson	TOLERANCE	Mason	DATE	18.06.2024
APPD:	Schumi		DC-022X	FINISH	Jamy		Sheet No.		4 from 4

www.edcon-components.com

email: info@edcon-components.com