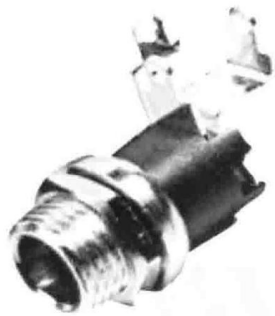


EDCON-COMPONENTS



Technical Specifications:

Temperature Range:
Rated Load:
Contact Resistance:
Insulation Resistance:
Withstanding Voltage:
Actuating Force:
Lifetime:
TEMPERATURE:
RELATIVE HUMIDITY:
HUMIDITY TEST:
HEAT TEST:
COLD TEST:
SOLDERABILITY TEST:
TEST CONDITIONS:
REFLOW SOLDERING:
MATERIAL:
F= GROUNDING SPRING
E= SHIELDING:
D= PIN
C=TERMINAL
B= TIP SPRING
A= BODY

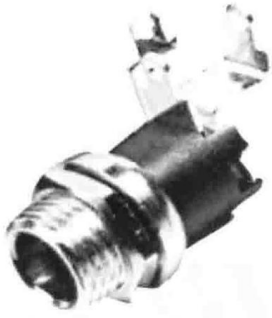
DC 24V 5A
3~20n
0,5KG ~ 3,5KG
500 VOLTS
5000 cycles
FROM -30°C TO +70°C
FROM 40% TO 85%
HUMIDITY 90% TO 95% TEMPERATURE 40°C +/- 2°C F. 96 HRS
TEMPERATURE 70°C +/- 2°C (HUMIDITY BELOW 50% F. 96HRS
. +/-2°C FOR 96 HOURS
THE TERMINATION IS AT LEAST 96% COVERD BY A CONTINUOUS NEW SOLDER COATING
DIP SOLDER FOR 5 SEC AT 245°C +/- 5°C TERMINATION SHAL BE IMMERSIED IN FLUX BEFORE TEST
LEAD FREE PROCESS

STAINLESS 0,1T
BRASS STRIP 0,3T NI 60μ
BRASS BAR NI 60μ
BRASS STRIP 0,3T AG 20μ OVER NI 20μ
COPPER ALLOY 0,3T AG20μ OVER NI 20μ
HIGH TEMPERATURE THERMOPLASTIC UL 94V-0 BLACK

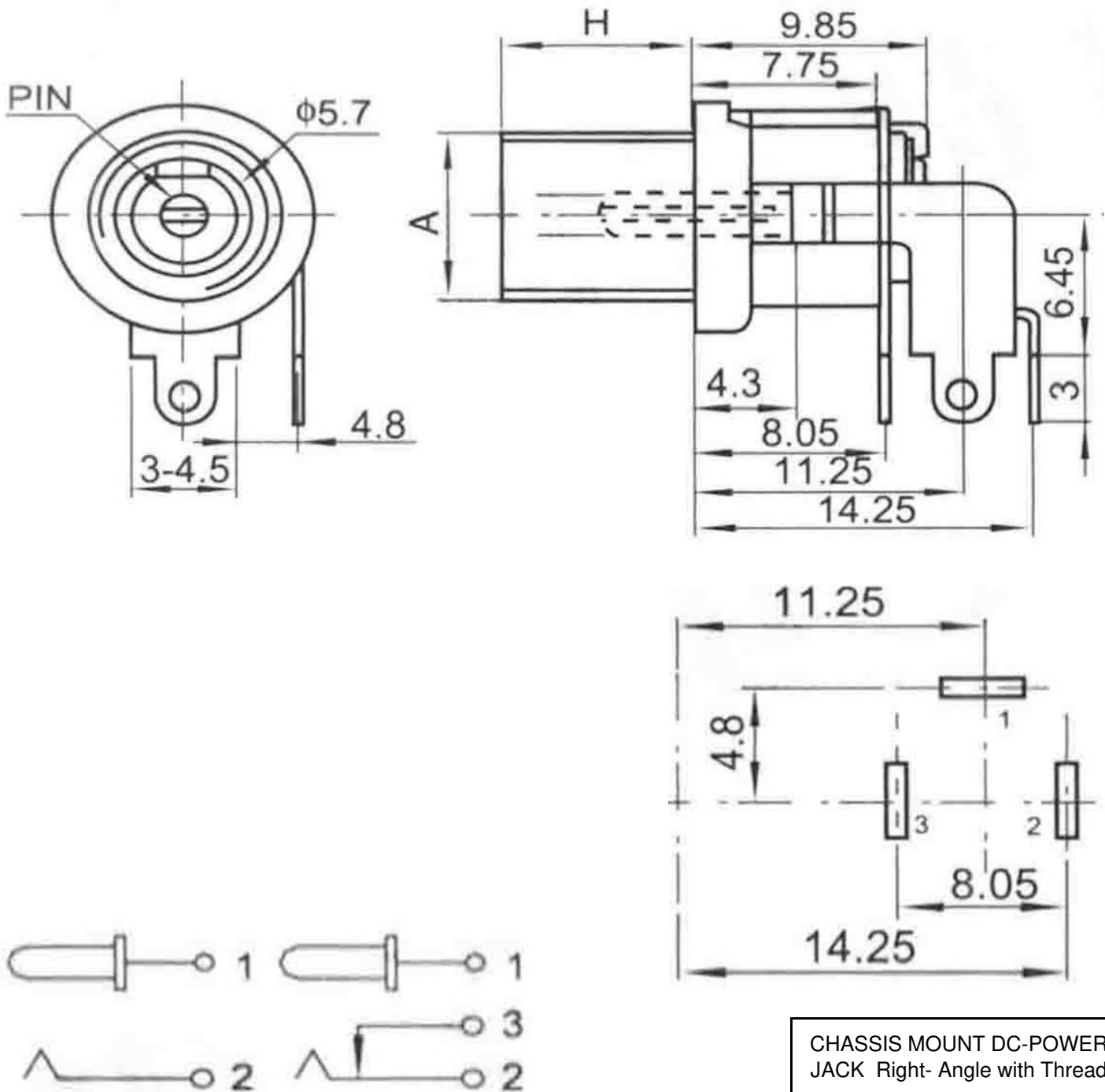
CHASSIS MOUNT DC-POWER JACK Right- Angle with Thread
Part No.: T19E018
Customer:

DRW:	Jason	CHKD	Wilson	MATL:	Wilson	DATE	05.05.2021
APPD:	Schumi			FINISH	Jamy	Sheet	1 from 3

EDCON-COMPONENTS



Technical Drawing:

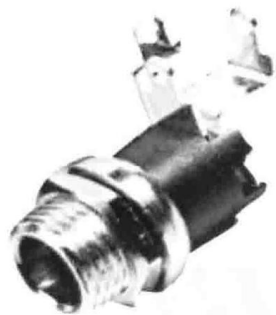


Circuit A **Circuit B**

CHASSIS MOUNT DC-POWER JACK Right- Angle with Thread	
Part No.:	T19E018
Customer:	

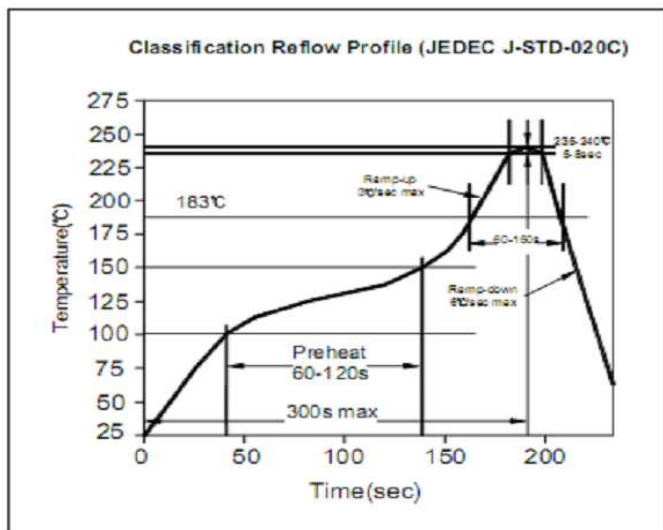
DRW:	Jason	CHKD	Wilson	MATL:	Wilson	DATE	05.05.2021
APPD:	Schumi			FINISH	Jamy	Sheet	2 from 3

EDCON-COMPONENTS

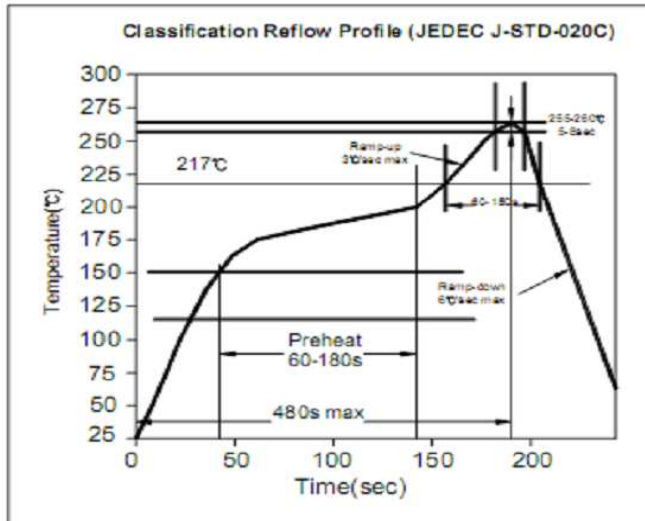


Solder Profile

Lead Solder



Lead Free Solder



Ordering Informations:

Item-No.	Pin Diameter	Chassis H	Circuit	ROHS	Packing
T19E018	A	A	A	R	BU

A= 2,0mm	A= 5,7mm	A= 2 Contact	R= ROHS N= Non ROHS	BU= Bulk (Standard)
B= 2,5mm				
C= 1,65mm	A= 7,5mm	B= 3 Contact		
D= 1,3mm	A= 8,0mm			
	A= 8,5mm			
	A= 9,5mm			

CHASSIS MOUNT DC-POWER JACK Right- Angle with Thread
Part No.: T19E018
Customer:

DRW:	Jason	CHKD	Wilson	MATL:	Wilson	05.05.2021
APPD:	Schumi			FINISH	Jamy	Sheet 3 from 3

