



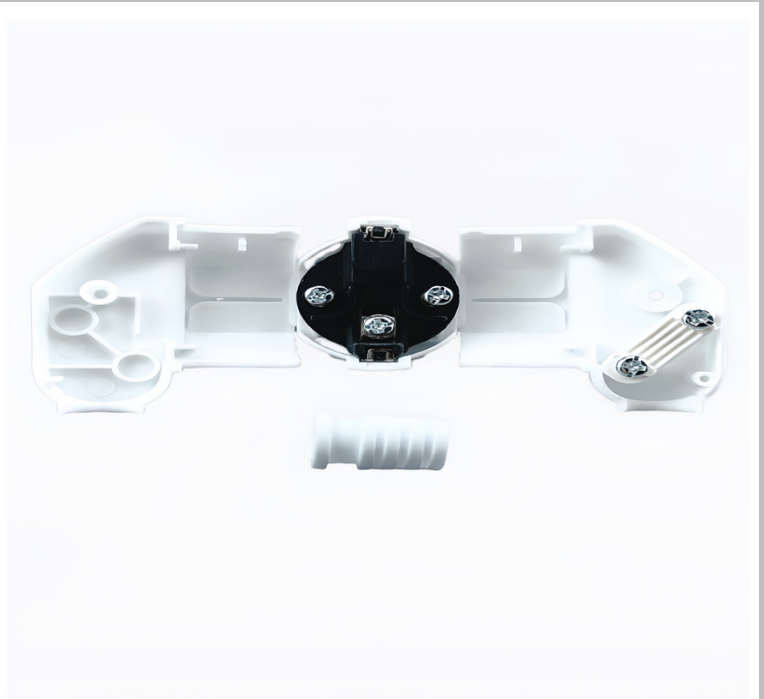
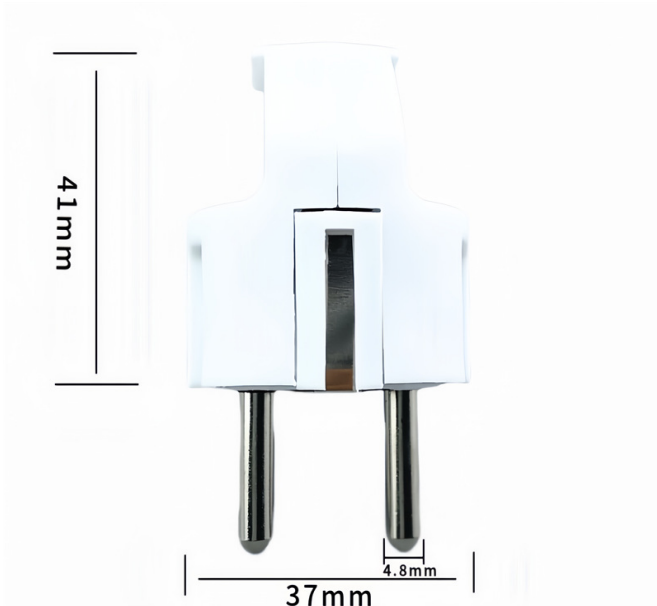
Serie = T11070

Technical Specifications:

Dielectric Strength:
Insulation Resistance:
Rating:
Lifetime:

AC 2500V-60Sec..50~60Hz between Poles
between Poles les by DC500V Min 1000 M Ohm
250VAC / 16A
5000Cycles

Technical Drawing:



EDCON-COMPONENTS



Serie = T11070

Ordering Informations:

Serie	Colour	Special	Special	Special	R	Verpackung
T11070	BK	N	N	N	N	BU
BK= Black	N= No Special	N= No Special	N= No Special	N= NON ROHS	BU= Bulk-Ware Box	
WH= White				R= ROHS Conform		