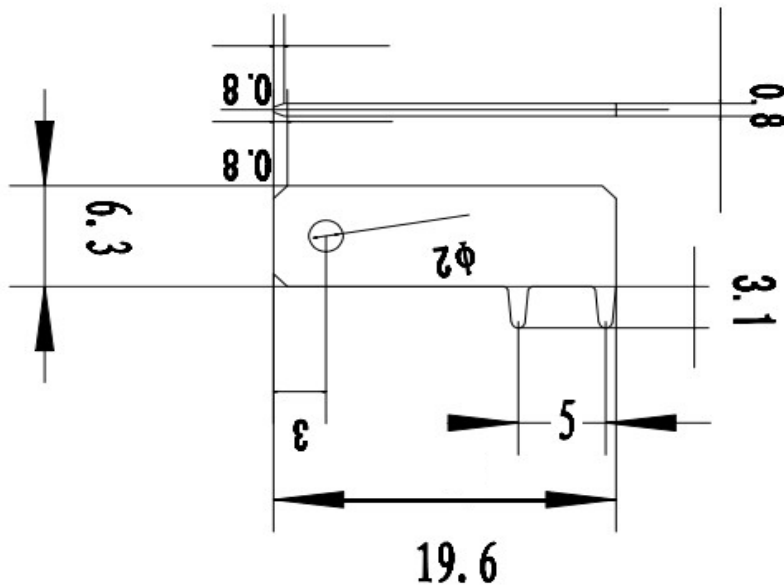




Technical Specification

Mounting : 5,0mm Spacing
 Material: Spring brass, tin plated
 Rated Voltage: 250V
 Rated Current: Max. 10A
 Unit Weight: 0,24gr.
 Packing: Bulk 1000PCS
 Thickness: 0,8mm Ni Plated

Technical Drawing



Ordering Information

Serie	ROHS	Packing				
N40034	R	BU				

R = ROHS Conform	BU = Poly Bag
N = NON ROHS Conform	

TAB Terminal	
Part No.:	N40034
Customer:	

DRW:	Jason	CHKD	Jules	MATL:	Wu	DATE	27.02.2023
APPD:	Join			FINISH	Shieh	Sheet	1 from 1

