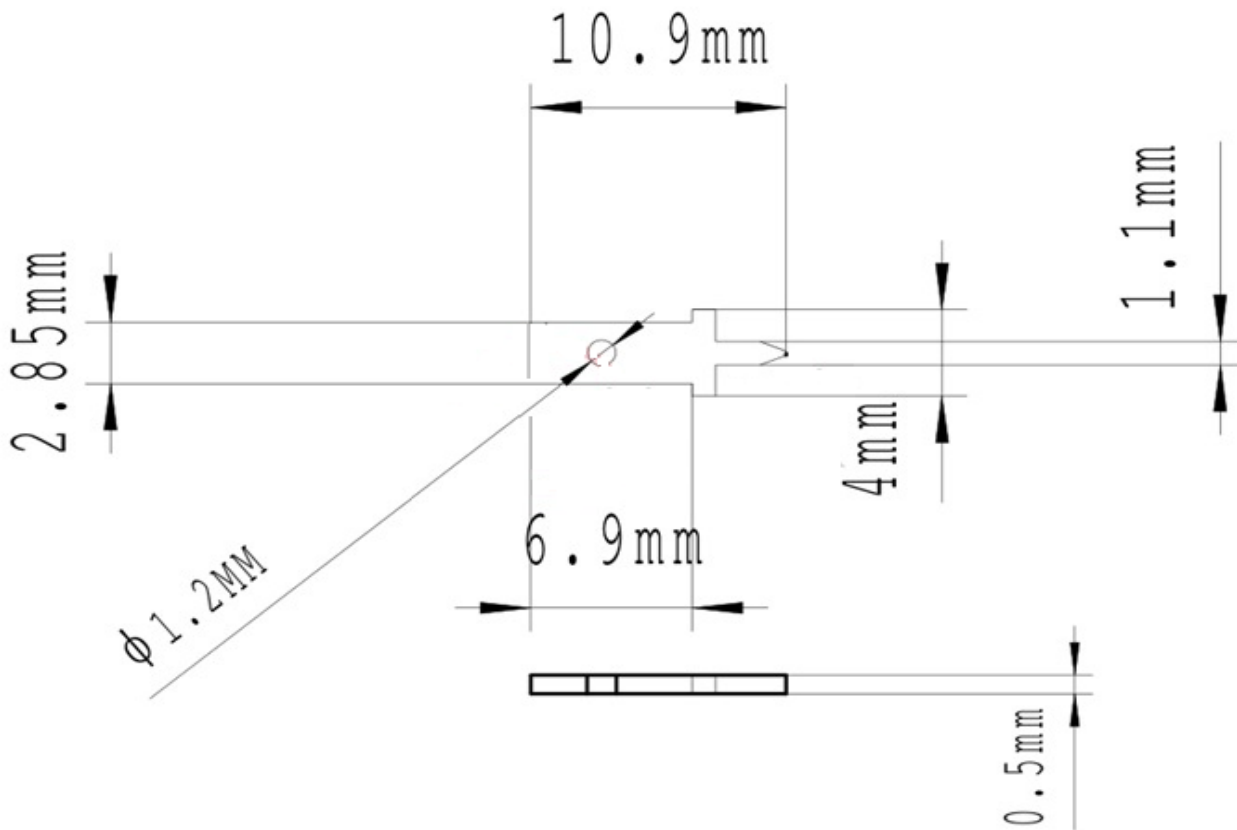




**Technical Specification**

Mounting : 2,8mm  
 Material: Spring Brass  
 Rated Voltage: 250V  
 Rated Current: Max. 6,3A  
 Unit Weight: 0,42gr.  
 Packing: Bulk 2000PCS  
 Thickness: 0,5mm Ni Plated



**Ordering Information**

Serie	Contact Plating	Special function	ROHS	Packing		
N40013	TN	N	R	BU		

TN= TIN Plated	N= NO Function	R= ROHS Conform N= NON ROHS Conform	BU = Bulk-Ware
----------------	----------------	--	----------------

<b>2,8mm TAB Terminal</b>	
Part No.:	<b>N40013</b>
Customer:	

DRW:	Jason	CHKD	Jules	MATL:	Wu	DATE	09.04.2019
APPD:	Join			FINISH	Shieh	Sheet	1 from 1