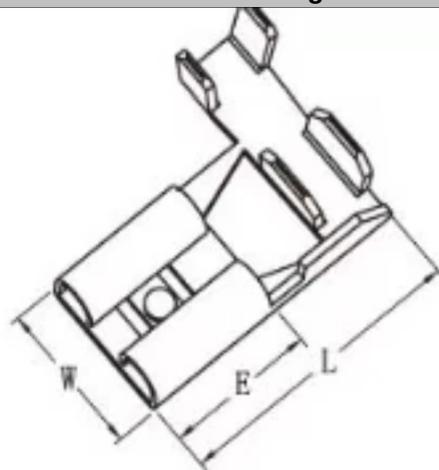


**Technical Specification**

Maximum Electrical Ratings:	75°C / 300V
	22-16AWG/ 0,5-1,5mm <sup>2</sup> 19A
Maximum Electrical Ratings:	16-14AWG/ 1,5-2,5mm <sup>2</sup> 27A
	12-10AWG/4-6mm <sup>2</sup> 48A
Terminal Body:	Copper
Insulation:	
Plating:	like ordering code:

**Technical Drawing**



**Dimensions (mm)**

E	7,4
W	7,6
L	15,5
Tab:	6,3x0,8mm
Thickness	0,4
O.D. Wire Isolation	2,5~3,8
AWG#	20~16
mm <sup>2</sup>	0,5~1,5

**Ordering Information**

Serie	wire Size	Surface	ROHS	Packing		
<b>N38077</b>	<b>A</b>	<b>T</b>	<b>R</b>	<b>TR</b>		

<b>A=</b> 0,5~1,5mm <sup>2</sup>	<b>B=</b> blank like Material	<b>R=</b> ROHS conform	
	<b>T=</b> Tinned	<b>N=</b> Non ROHS conform	
<b>TR=</b> Tape/Reel 6000PCS			

<b>6,3mm Faston Female wire side</b>	
Part No.:	<b>N38077</b>
Customer:	

DRW:	Jason	CHKD	Jules	MATL:	Wu	DATE	27.04.2022
APPD:	Join			FINISH	Shieh	Sheet	1 from 1