

Data Sheet

Power Connector 180° Wafer w/o mounting Flange

Pitch: 7,62 mm

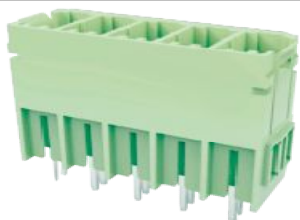
Serie: A14R055

Customer Information for special Item

EDCON Customer : 0

Customer Version No. : 0

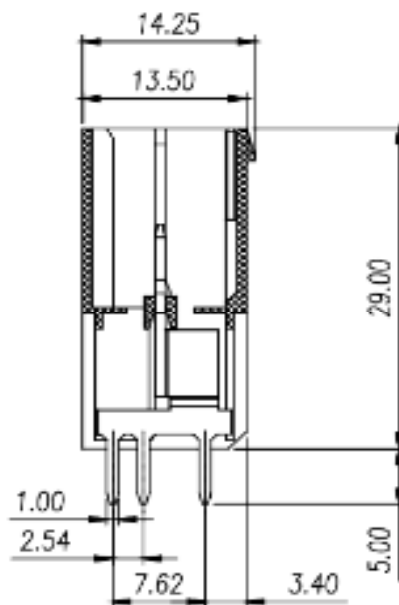
EDCON-COMPONENTS



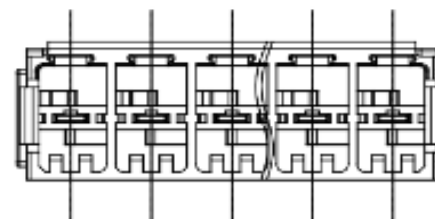
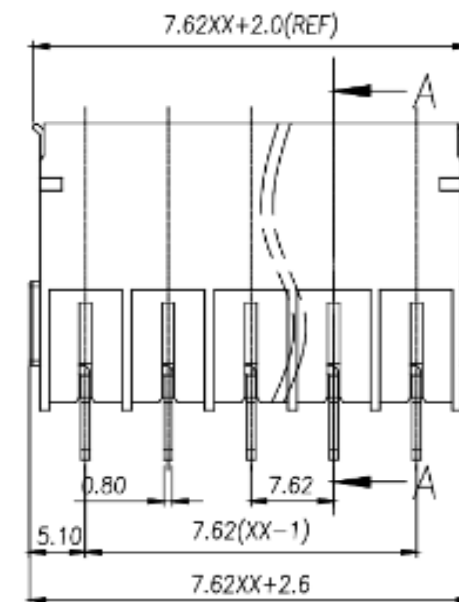
Technical Discription

Electrical	UL	IEC
Rated Voltage	300Volt	630V
Rated Current	41A	41A
Dielectric Voltage Withst.	1,6KV	
Impuls Withstand Voltage		6KV
Mechanical		
Operating Temperature	-40°C ~ +105°C	
Soldering Temperature:	260°C / 5S.	
Pin Dimension	0,8x1,0mm	
PCB-Hole Diameter:	1,6mm	
Dimensions		
Pitch (mm)	7,62	
Poles	2 ~ 12 Pos.	
Materials		
Terminal Housing	PA66 Thermoplastic, UL94V-0	
Pin Header	Copper Alloy	
Surface:	Tin Plated	

Drawing (Dimension in mm)



SECTION:A-A



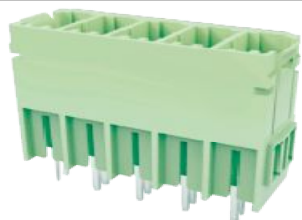
**Power Connector 180° Wafer
w/o mounting Flange**

Part No.: **A14R055**

Customer:

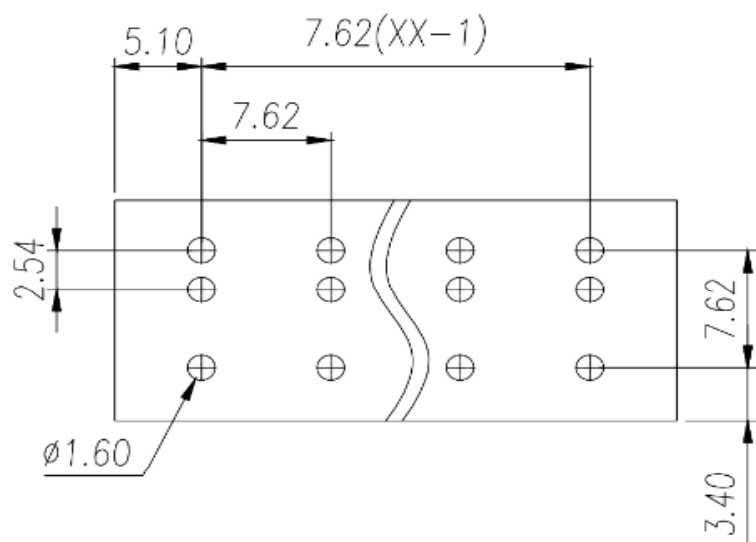
DRW:	Jason	CHKD	Wilson	MATL:	Wilson	TOLERANCE	Mason	DATE	23.08.2021
APPD:	Schumi			FINISH	Jamy		Sheet No.		1 from 4

EDCON-COMPONENTS



PCB Layout

Dimensions (mm)



**Power Connector 180°
Wafer w/o mounting**

Part No.: **A14R055**

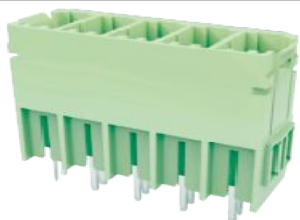
Customer:

DRW:	Jason	CHKD	Wilson	MATL:	Wilson	TOLERANCE	Mason	DATE	23.08.2021
APPD:	Schumi			FINISH	Jamy		Sheet No.	2 from 4	

www.edcon-components.com

email: info@edcon-components.com

EDCON-COMPONENTS



Ordering Informations

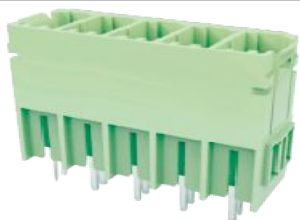
Serie	No. of Pos.	Body Color	No Function	Approval Code	ROHS	Packing	EDCON Cust. No.	Customer Version		
-------	-------------	------------	-------------	---------------	------	---------	-----------------	------------------	--	--

A14R055	XX	PG	N	N	R	B				
----------------	-----------	-----------	----------	----------	----------	----------	--	--	--	--

Pitch 7,62		PG= Phoenix Green (Standard)	N= No function	N= NON Approval	R= ROHS Conform	B= Bulk-Ware	xxxxxx= Customer Number	xxx= Customer Version ??(Printing)
	Standard 2 ~ 12Pos.	WH= White		A= UL /UR Approval Please consult EDCON for available	N= NON ROHS Conform	I= Individual Package		
		GN= Green						
		GY= Gray						
		LG= Light Gray		B= VDE Approval Please consult EDCON for available				
		OR= Orange						
		BL= Blue						
		BK= Black		C= TÜV Approval Please consult EDCON for available				

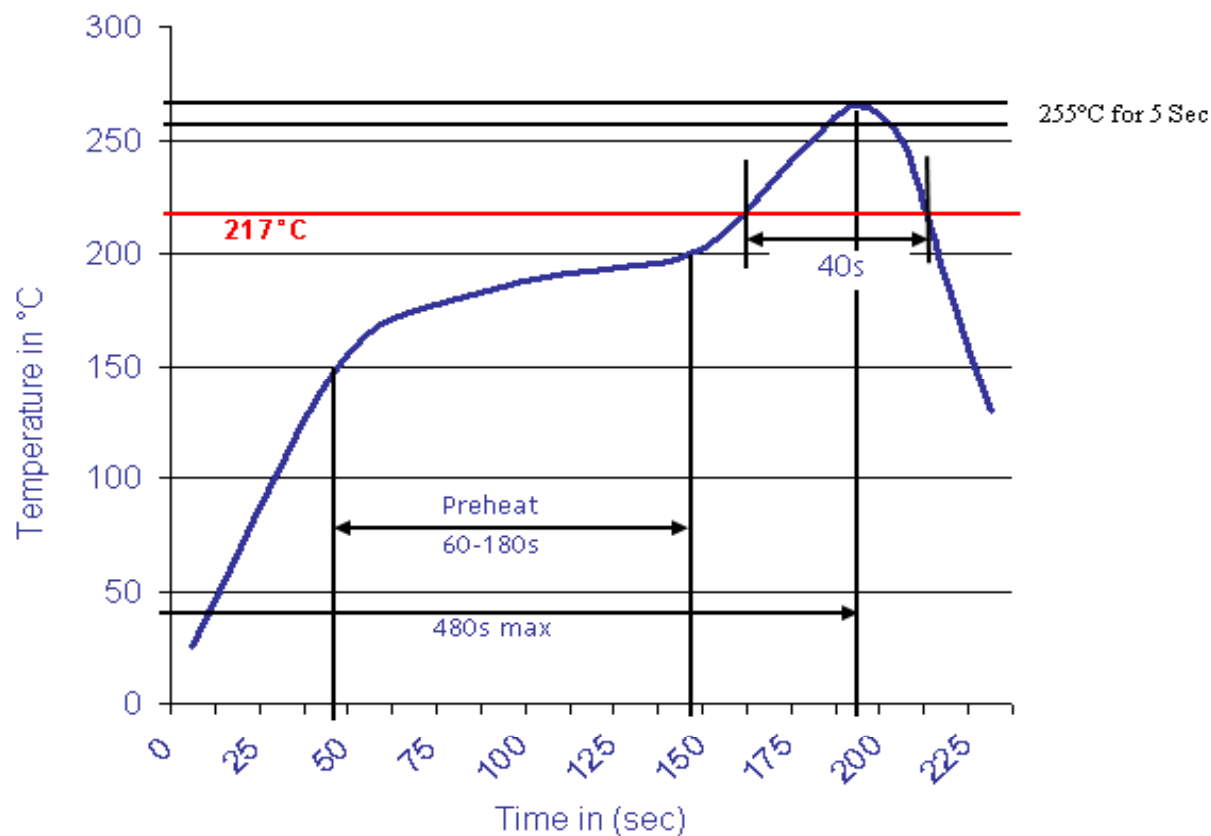
Power Connector 180° Wafer w/o mounting
Part No.: A14R055
Customer:

DRW:	Jason	CHKD	Wilson	MATL:	Wilson	TOLERANCE	Mason	DATE	23.08.2021
APPD:	Schumi			FINISH	Jamy		Sheet No.		3 from 4



Soldering Profile Curve

Classification Reflow Profile (JEDEC J-STD-020C)



**Power Connector 180°
Wafer w/o mounting**

Part No.: **A14R055**

Customer:

DRW:	Jason	CHKD	Wilson	MATL:	Wilson	TOLERANCE	Mason	DATE	23.08.2021
APPD:	Schumi			FINISH	Jamy		Sheet No.	4 from 4	