

# Data Sheet

## THR Wafer (Header)

**Pitch: 3,81 mm**

**Serie: A14H153**

### Customer Information for special Item

**EDCON Customer : 0**

**Customer Version No. : 0**

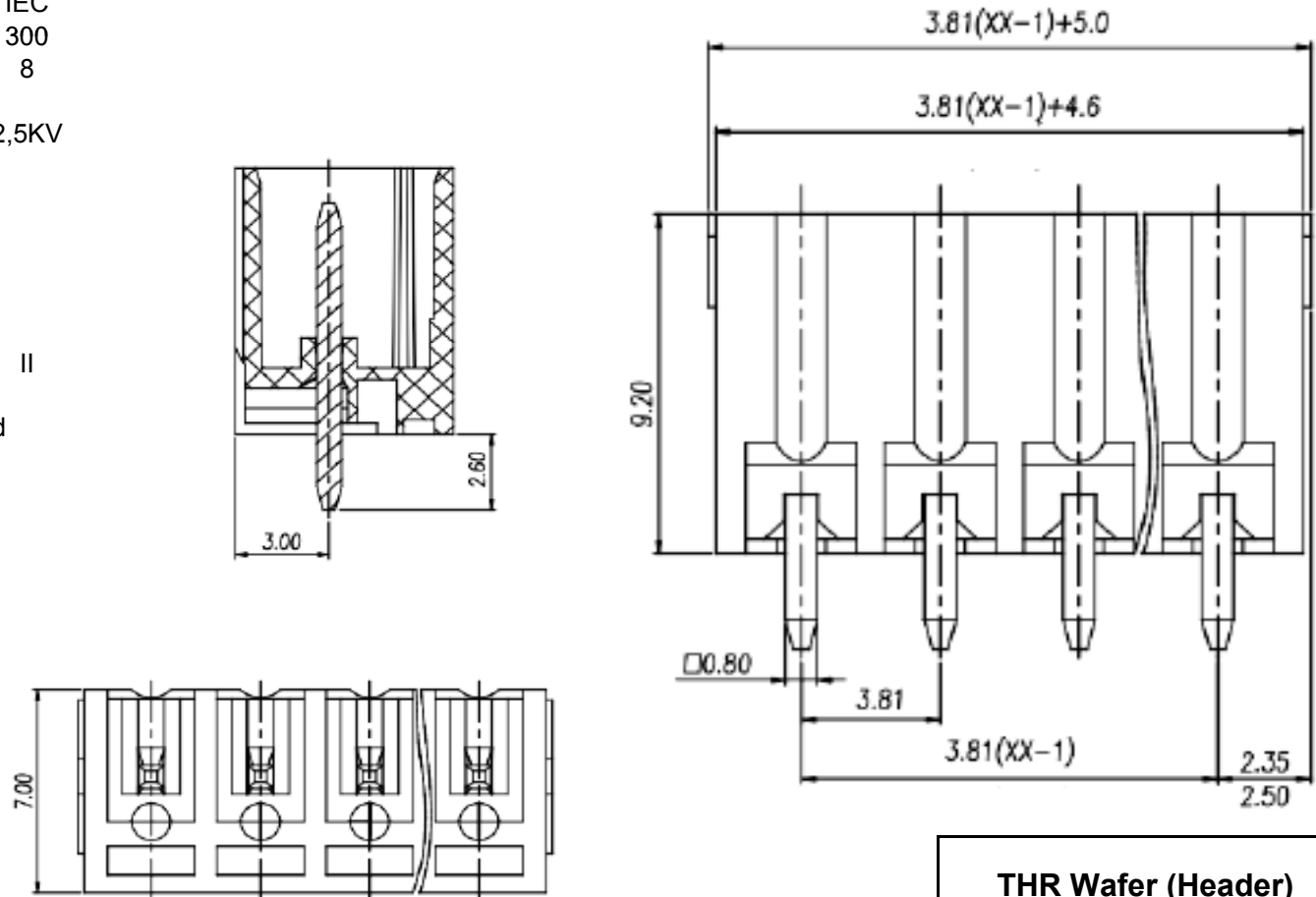
# EDCON-COMPONENTS



## Technical Discription

<b>Electrical</b>	UL	IEC
Rated Voltage (V)	300	300
Rated Current (A)	8	8
Wire Range (AWG)		
Withstanding Voltage	2,5KV	2,5KV
<b>Poles</b>	02 ~ 24 Pos.	
<b>Materials</b>	LCP	
Terminal Housing	UL94V-0	
Flame Retardant rating:		
Contamination class	III	II
Operating Temperature	-40°C ~ +130°C	
Pin Header	Copper Alloy / Tin Plated	
Pin Dimension:	0,8x0,8mm	
Soldering Temperature:	285°C / 10S	

## Drawing (Dimension in mm)



### THR Wafer (Header)

Part No.: **A14H153**

Customer:

DRW:	Jason	CHKD	Wilson	MATL:	Wilson	TOLERANCE	Mason	DATE	16.01.2023
APPD:	Schumi			FINISH	Jamy		Sheet No.		1 from 3

[www.edcon-components.com](http://www.edcon-components.com)

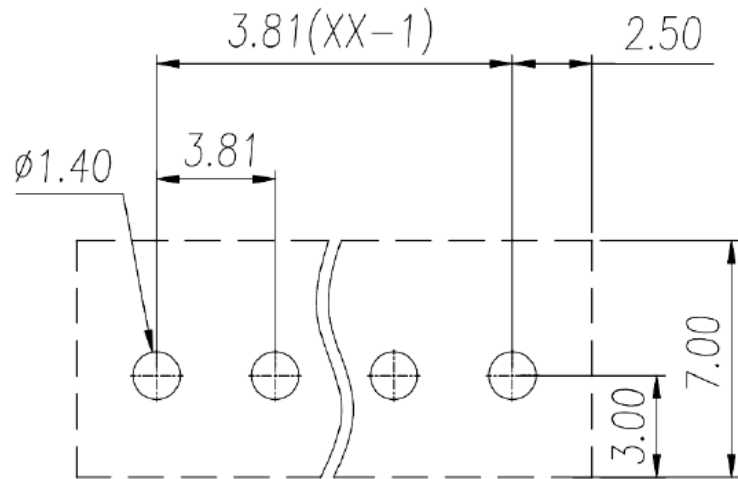
email: [info@edcon-components.com](mailto:info@edcon-components.com)

# EDCON-COMPONENTS



## PCB Layout

## Dimensions (mm)



No. of Pos.	P	Tol. A	B	Tol. B
02	6,31	± 0,15	3,81	± 0,15
03	10,12	± 0,15	7,62	± 0,15
04	13,93	± 0,15	11,43	± 0,15
05	17,74	± 0,15	15,24	± 0,15
06	21,55	± 0,15	19,05	± 0,15
07	25,36	± 0,20	22,86	± 0,20
08	29,17	± 0,20	26,67	± 0,20
09	32,98	± 0,20	30,48	± 0,20
10	36,79	± 0,20	34,29	± 0,20
11	40,60	± 0,20	38,10	± 0,20
12	44,41	± 0,20	41,91	± 0,20
13	48,22	± 0,25	45,72	± 0,25
14	52,03	± 0,25	49,53	± 0,25
15	55,84	± 0,25	53,34	± 0,25
16	59,65	± 0,25	57,15	± 0,25
17	63,46	± 0,25	60,96	± 0,25
18	67,27	± 0,25	64,77	± 0,25
19	71,08	± 0,30	68,58	± 0,30
20	74,89	± 0,30	72,39	± 0,30
21	78,70	± 0,30	76,20	± 0,30
22	82,51	± 0,30	80,01	± 0,30
23	86,32	± 0,30	83,82	± 0,30
24	90,13	± 0,30	87,63	± 0,30

### THR Wafer (Header)

Part No.: **A14H153**

Customer:

DRW:	Jason	CHKD	Wilson	MATL:	Wilson	TOLERANCE	Mason	DATE	16.01.2023
APPD:	Schumi			FINISH	Jamy		Sheet No.		2 from 3

# EDCON-COMPONENTS



## Ordering Informations

Serie	No. of Pos.	Body Color	Special Function	Approval Code	ROHS	Packing	EDCON Cust. No.	Customer Version		
<b>A14H153</b>	<b>02</b>	<b>BK</b>	<b>A</b>	<b>A</b>	<b>R</b>	<b>B</b>				

Pitch  
3,81

<b>02=</b> Number of Pos.		<b>N=</b> No special function	<b>N=</b> NON Approval	<b>R=</b> ROHS Conform	<b>B=</b> Bulk-Ware	<b>xxxxxx=</b> Customer Number	<b>xxx=</b> Customer Version ??(Printing)
02 to 24 Pos. Standard		<b>A=</b> Important Solder Pin length 2,0mm	<b>A=</b> UL /UR Approval Please consult EDCON for available	<b>N=</b> NON ROHS Conform	<b>I=</b> Individual Package		
			<b>B=</b> VDE Approval Please consult EDCON for available				
			<b>C=</b> TÜV Approval Please consult EDCON for available				
	<b>BK=</b> Black						

<b>THR Wafer (Header)</b>	
Part No.:	<b>A14H153</b>
Customer:	

DRW:	Jason	CHKD	Wilson	MATL:	Wilson	TOLERANCE	Mason	DATE	16.01.2023
APPD:	Schumi			FINISH	Jamy		Sheet No.		3 from 3