

Data Sheet

Screwless Terminal Block

Pitch: 20,00 mm

Serie: A11W001

Customer Information for special Item

EDCON Customer : 0

Customer Version No. : 0

EDCON-COMPONENTS



Technical Discription

Drawing (Dimension in mm)

Electrical

Standard	cULus	IEC
Rated voltage	300V	250V
Rated current	10A	76A
Withstanding voltage	1.6KV	4KV
Solid wire	26-12 AWG	0.2-16mm ²
Stranded wire	26-12 AWG	0.2-16mm ²

Mechanical

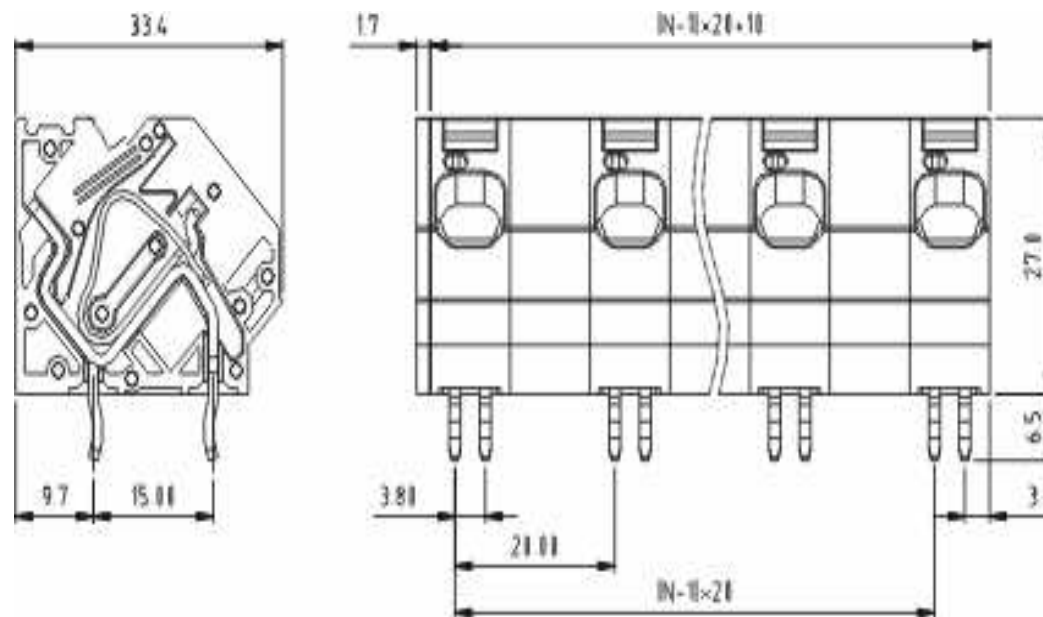
Wire strip length	6 ~ 7mm
Ambient temperature	-40°C ~ +115°C
Soldering temperature	250°C ±10°C/5 sec

Dimensions

Pitch	20.00mm
Poles	2P - 12P

Material

Housing	Thermoplastic (UL94V-0)
Pin header	PhBz
Wire guard	Stainless steel



Screwless Terminal Block

Part No.: **A11W001**

Customer:

DRW:	Jason	CHKD	Wilson	MATL:	Wilson	TOLERANCE	Mason	DATE	10.02.2014
APPD:	Schumi			FINISH	Jamy		Sheet No.	1 from 4	

EDCON-COMPONENTS



Ordering Informations

Serie	No. of Pos.	Body Color	Approval	Approval Code	ROHS	Packing	EDCON Cust. No.	Customer Version		
A11W001	02	GY	N	N	R	B				

Pitch
20,00

02= Number of Pos. Standard 2~12 Pos.	GY= Gray (Standard)	N= No Approval	N= NON Approval	R= ROHS Conform	B= Standard Package	xxxxxx= Customer Number	xxx= Customer Version ??(Printing)
	GN= Green	1= Approval for Material	A= UL /UR Approval Please consult EDCON for available	N= NON ROHS Conform	I= Individual Package		
		2= Approval for Terminal Block	B= VDE Approval Please consult EDCON for available				
	OR= Orange		C= TÜV Approval Please consult EDCON for available				
	BK= Black						

Screwless Terminal Block

Part No.: **A11W001**

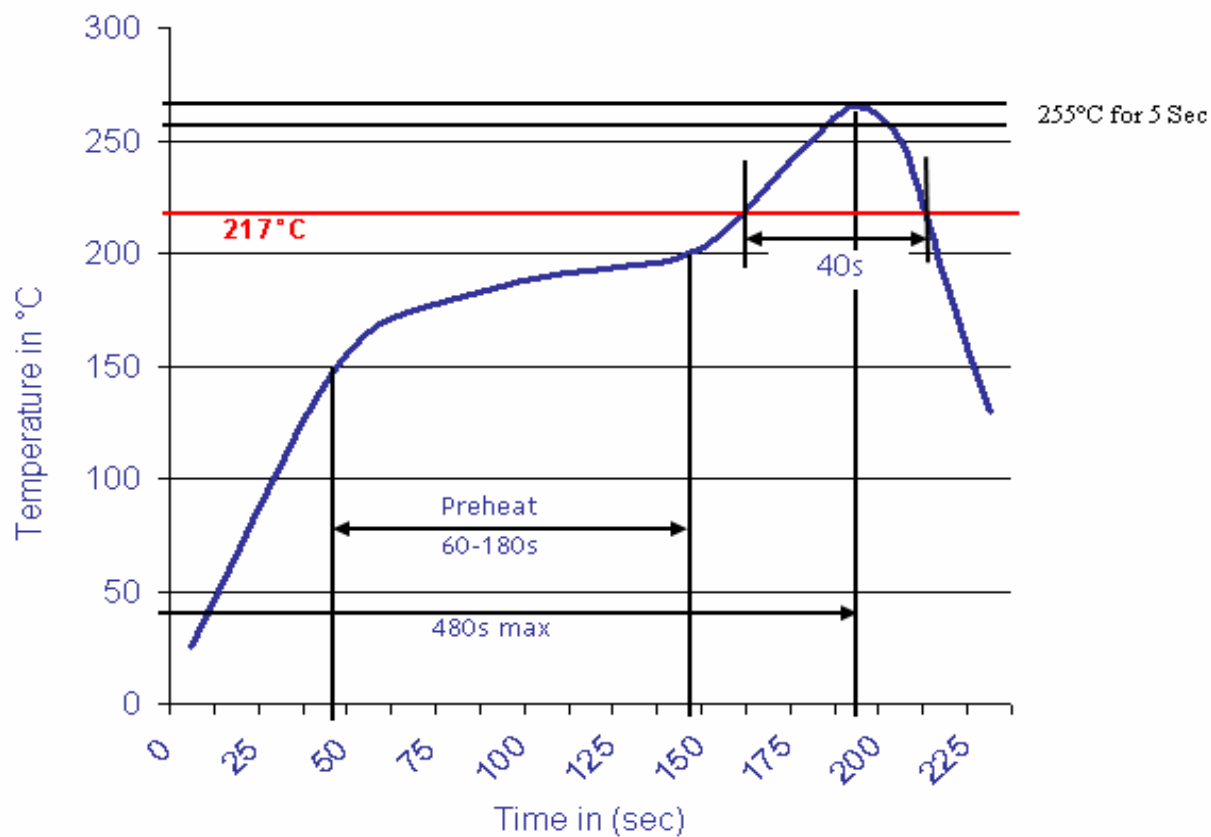
DRW:	Jason	CHKD	Wilson	MATL:	Wilson	TOLERANCE	Mason	DATE	10.02.2014
APPD:	Schumi			FINISH	Jamy		Sheet No.		3 from 4

Customer:



Soldering Profile Curve

Classification Reflow Profile (JEDEC J-STD-020C)



Screwless Terminal Block

Part No.: **A11W001**

Customer:

DRW:	Jason	CHKD	Wilson	MATL:	Wilson	TOLERANCE	Mason	DATE	10.02.2014
APPD:	Schumi			FINISH	Jamy		Sheet No.	4 from 4	

