

Data Sheet

Screwless Terminal Block Pitch 5,00mm

Pitch: 5.00 mm

Serie: A11L094

Customer Information for special Item

EDCON Customer : xxxxxx

Customer Version No. : xx

EDCON-COMPONENTS



Technical Discription

Electrical:

Rated voltage:

Rated current:

Withstanding Voltage: AC/1min:

Operating Temperature:

| UL | IEC | VDE |
|-------|-------|-----|
| 300V | 250V | |
| 8A | 15A | |
| 2000V | 2000V | |

-40°C ~ +105°C

Mechanical:

Strip length: mm

Wire range: Solid wire: AWG

Wire range: Stranded wire:AWG

| 8-9mm | 8-9mm | |
|-------|--------------------|--|
| 20-16 | 1,5mm ² | |

Material:

Housing Terminal Body:

Housing Left-side:

Housing Right side:

Lever:

Terminal:

Spring Clamp:

PA66 UL94V-0

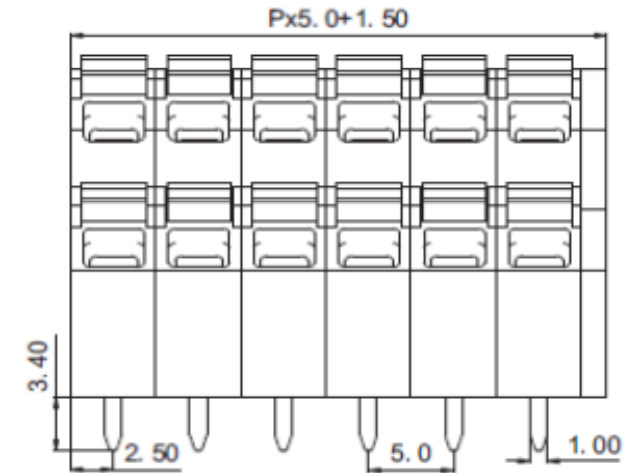
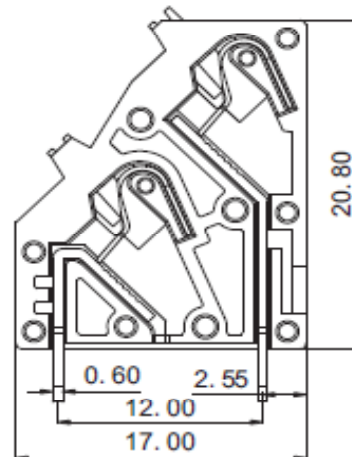
PA66 UL94V-0

PA66 UL94V-0

Copper Matte Tin plated over Nickel

Stainless steel

Drawing (Dimension in mm)



| Item No. | | |
|----------|--|--|
| 1 | | |
| 2 | | |
| 3 | | |
| 4 | | |
| 5 | | |
| 6 | | |
| 7 | | |
| 8 | | |
| 9 | | |

| Tolerances unless otherwise specified (mm) | | | | |
|--|--------|------|--------|--------|
| X | X.X | X.XX | X.XXX | Angle |
| ± | ± | ± | ± | ±3° |
| DRW: | Jason | CHKD | Wilson | MATL: |
| APPD: | Schumi | | | FINISH |

Screwless Terminal Block Pitch 5,00mm

Part No.: **A11L094**

Customer:

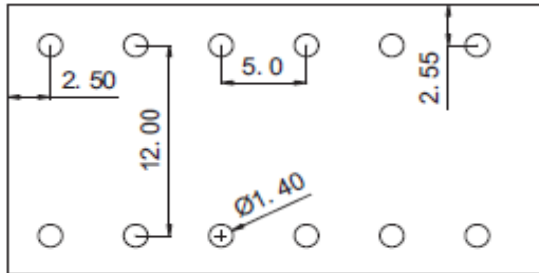
| | | | | | | | | | |
|-------|--------|------|--------|--------|--------|-----------|-------|-----------|------------|
| DRW: | Jason | CHKD | Wilson | MATL: | Wilson | TOLERANCE | Mason | DATE | 30.11.2020 |
| APPD: | Schumi | | | FINISH | Jamy | | | Sheet No. | 1 from 4 |

EDCON-COMPONENTS



PCB Layout Dimension (mm)
TOP-VIEW

Dimensions (mm)



Frontside

**Screwless Terminal Block Pitch
5,00mm**

Part No.: **A11L094**

| | | | | | | | | | |
|-------|--------|------|--------|--------|--------|-----------|-----------|----------|------------|
| DRW: | Jason | CHKD | Wilson | MATL: | Wilson | TOLERANCE | Mason | DATE | 30.11.2020 |
| APPD: | Schumi | | | FINISH | Jamy | | Sheet No. | 2 from 4 | |

Customer:

EDCON-COMPONENTS



Ordering Informations

| Serie | No. of Pos. | Body Color | Srew Type | Approval Code | ROHS | Packing | EDCON Cust. No. | Customer Version | | |
|----------------|-------------|------------|-----------|---------------|----------|----------|-----------------|------------------|--|--|
| A11L094 | 04 | BK | C | N | R | B | xxxxxx | xx | | |

| |
|-------|
| Pitch |
| 5.00 |

| | | | | | | | |
|----------------------------|-------------------|---------------------------|---|-----------------------------|---|---------------------------------|--|
| 04 = Number of Pos. | | C = Screwless Type | N = NON Approval | R = ROHS Conform | B = Standard Package Box/ Polybag I = Individual Package | xxxxxx = Customer Number | xx = Customer Version (Printing) ?? |
| Standard 2x2 ~ 2x24Pos. | | | 1 = UL-Approval for Body Material | N = NON ROHS Conform | | | |
| | | | A = UL /UR Approval Please consult EDCON for available | | | | |
| | | | B = VDE Approval Please consult EDCON for available | | | | |
| | BK = Black | | C = TÜV Approval Please consult EDCON for available | | | | |

| | |
|--|----------------|
| Screwless Terminal Block Pitch 5,00mm | |
| Part No.: | A11L094 |
| Customer: | |

| | | | | | | | | | |
|-------|--------|------|--------|--------|--------|-----------|-----------|------|------------|
| DRW: | Jason | CHKD | Wilson | MATL: | Wilson | TOLERANCE | Mason | DATE | 30.11.2020 |
| APPD: | Schumi | | | FINISH | Jamy | | Sheet No. | | 3 from 4 |

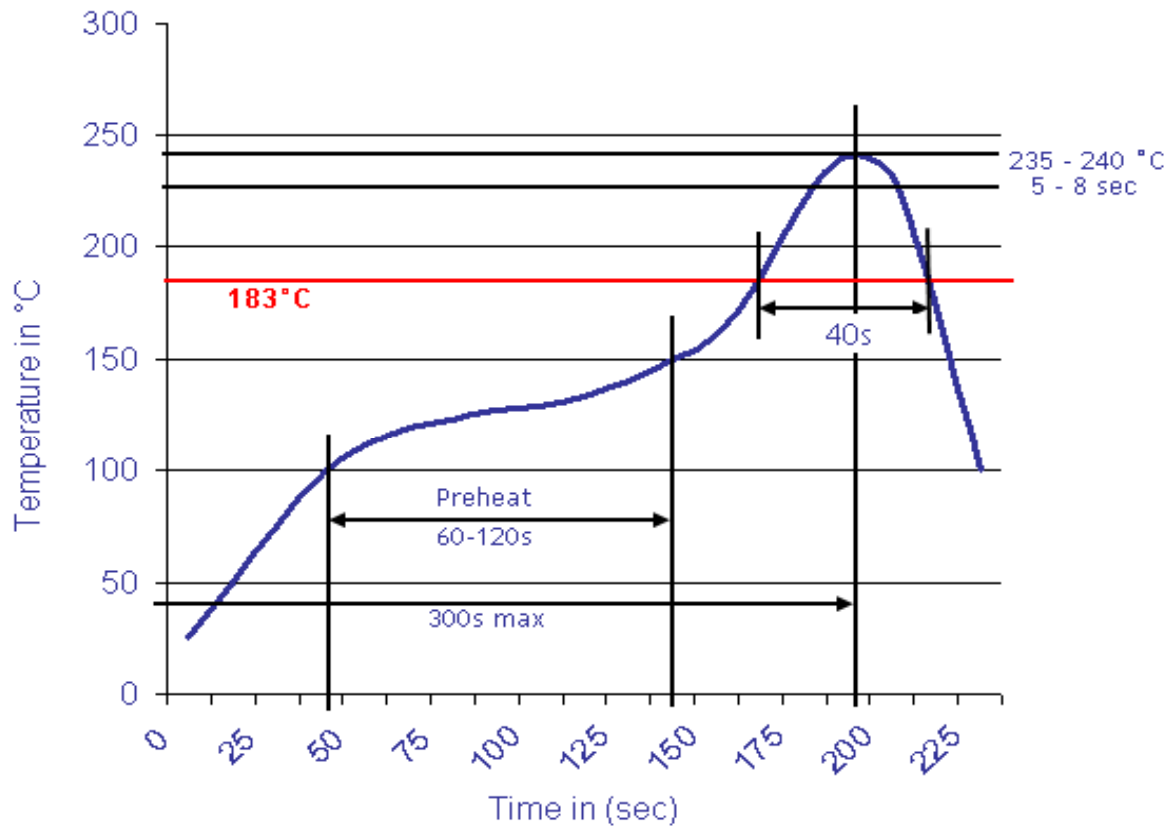
www.edcon-components.com

email: info@edcon-components.com



Soldering Profile Curve

Classification Reflow Profile (JEDEC J-STD-020C)



| | |
|--|----------------|
| Screwless Terminal Block Pitch 5,00mm | |
| Part No.: | A11L094 |
| Customer: | |

| | | | | | | | | | |
|-------|--------|------|--------|--------|--------|-----------|-----------|----------|------------|
| DRW: | Jason | CHKD | Wilson | MATL: | Wilson | TOLERANCE | Mason | DATE | 30.11.2020 |
| APPD: | Schumi | | | FINISH | Jamy | | Sheet No. | 4 from 4 | |