

# Data Sheet

## Screwless Terminal Block Pitch 5,00mm

**Pitch: 5.00 mm**

**Serie: A11L057**

### Customer Information for special Item

**EDCON Customer : xxxxxx**

**Customer Version No. : xx**

# EDCON-COMPONENTS



## Technical Description

### Electrical:

	UL	IEC	VDE
Rated voltage:	300V	250V	
Rated current:	12A	16A	
Withstanding Voltage: AC/1min:	2000V	2000V	
Operating Temperature:	-40°C ~ +105°C		

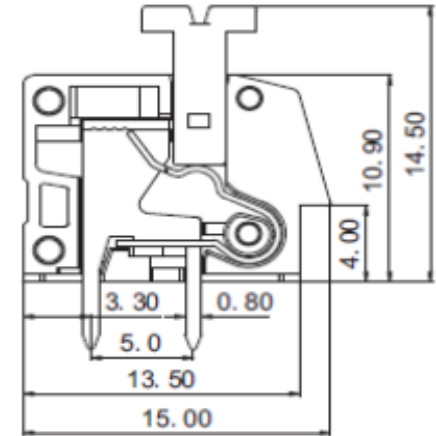
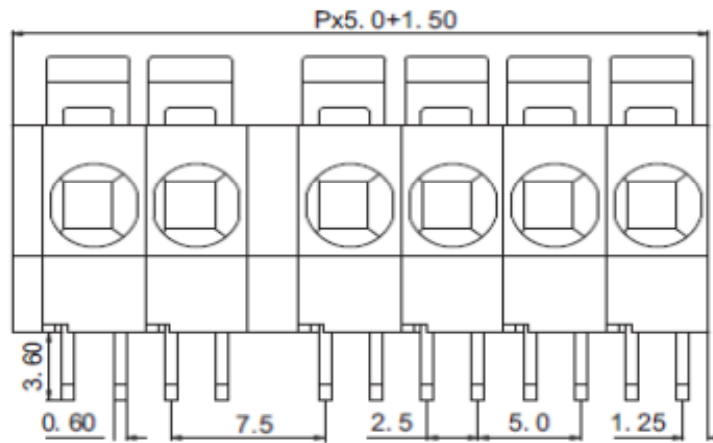
### Mechanical:

Strip length: mm	10~11mm	10~11mm	
Wire range: Solid wire: AWG	20~12	2,5mm <sup>2</sup>	
Wire range: Stranded wire:AWG			

### Material:

Housing Terminal Body:	PA66 UL94V-0
Housing Left-side:	PA66 UL94V-0
Housing Right side:	PA66 UL94V-0
Lever:	
Terminal:	Copper Matte Tin plated over Nickel
Spring Clamp:	Stainless steel

## Drawing (Dimension in mm)



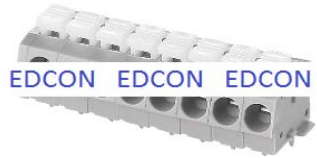
Item No.		
1		
2		
3		
4		
5		
6		
7		
8		
9		

Tolerances unless otherwise specified (mm)				
X	X.X	X.XX	X.XXX	Angle
±	±	±	±	±3°
DRW:	Jason	CHKD	Wilson	MATL:
APPD:	Schumi			FINISH

<b>Screwless Terminal Block Pitch 5,00mm</b>	
Part No.:	<b>A11L057</b>
Customer:	

DRW:	Jason	CHKD	Wilson	MATL:	Wilson	TOLERANCE	Mason	DATE	30.11.2020
APPD:	Schumi			FINISH	Jamy			Sheet No.	1 from 4

# EDCON-COMPONENTS

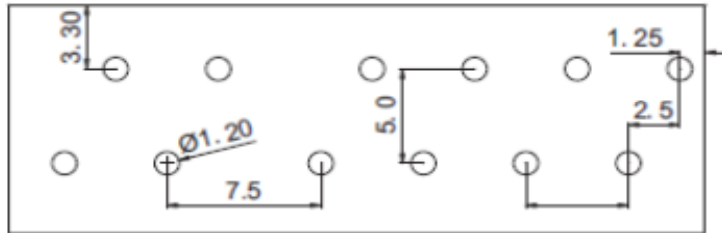


EDCON EDCON EDCON



**PCB Layout Dimension (mm)**  
TOP-VIEW

**Dimensions (mm)**



Frontside

<b>Screwless Terminal Block Pitch 5,00mm</b>	
Part No.:	<b>A11L057</b>
Customer:	

DRW:	Jason	CHKD	Wilson	MATL:	Wilson	TOLERANCE	Mason	DATE	30.11.2020
APPD:	Schumi			FINISH	Jamy		Sheet No.	2 from 4	

[www.edcon-components.com](http://www.edcon-components.com)

email: [info@edcon-components.com](mailto:info@edcon-components.com)

# EDCON-COMPONENTS



## Ordering Informations

Serie	No. of Pos.	Body Color	Srew Type	Approval Code	ROHS	Packing	EDCON Cust. No.	Customer Version		
<b>A11L057</b>	<b>02</b>	<b>GY</b>	<b>C</b>	<b>N</b>	<b>R</b>	<b>B</b>	<b>xxxxxx</b>	<b>xx</b>		

Pitch 5.00
---------------

<b>02</b> = Number of Pos.	<b>GY</b> = Gray (Standard)	<b>C</b> = Screwless Type	<b>N</b> = NON Approval	<b>R</b> = ROHS Conform	<b>B</b> = Standard Package Box/ Polybag	<b>xxxxxx</b> = Customer Number	<b>xx</b> = Customer Version (Printing) ??
Standard 1 ~ 24Pos.			<b>1</b> = UL-Approval for Body Material	<b>N</b> = NON ROHS Conform	<b>I</b> = Individual Package		
			<b>A</b> = UL /UR Approval Please consult EDCON for available				
			<b>B</b> = VDE Approval Please consult EDCON for available				
			<b>C</b> = TÜV Approval Please consult EDCON for available				

<b>Screwless Terminal Block Pitch 5,00mm</b>
Part No.: <b>A11L057</b>
Customer:

DRW:	Jason	CHKD	Wilson	MATL:	Wilson	TOLERANCE	Mason	DATE	30.11.2020
APPD:	Schumi			FINISH	Jamy		Sheet No.		3 from 4

[www.edcon-components.com](http://www.edcon-components.com)

email: [info@edcon-components.com](mailto:info@edcon-components.com)

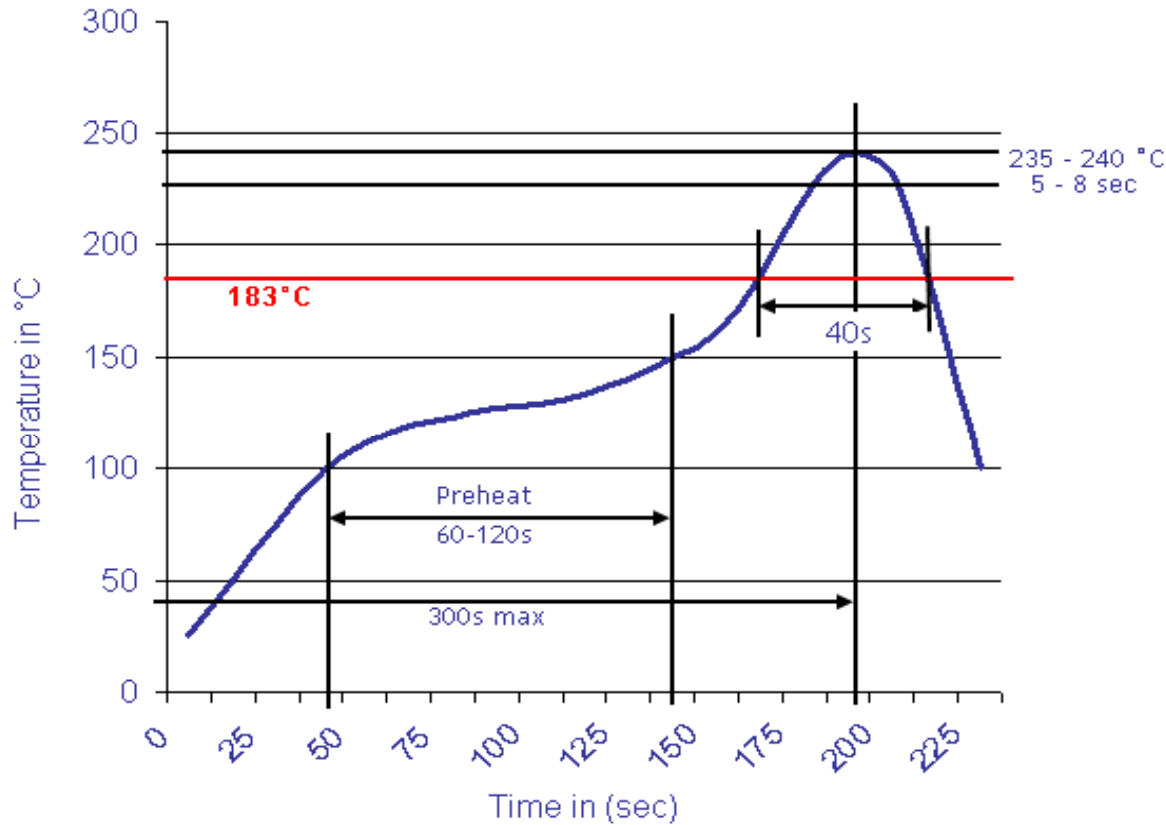


EDCON EDCON EDCON



Soldering Profile Curve

Classification Reflow Profile (JEDEC J-STD-020C)



<b>Screwless Terminal Block Pitch 5,00mm</b>	
Part No.:	<b>A11L057</b>
Customer:	

DRW:	Jason	CHKD:	Wilson	MATL:	Wilson	TOLERANCE:	Mason	DATE:	30.11.2020
APPD:	Schumi	FINISH:	Jamy				Sheet No.		4 from 4