

Data Sheet

Screwless Terminal Block

Pitch: 5,00 mm

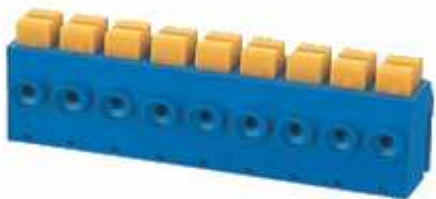
Serie: A11L053

Customer Information for special Item

EDCON Customer : 0

Customer Version No. : 0

EDCON-COMPONENTS



Technical Discription

Drawing (Dimension in mm)

Electrical

Standard
 Rated voltage
 Rated current
 Wire range
 Withstanding voltage

UL	IEC
300V	250V
8A	10A
22-18 AWG	1.0mm ²
AC2000V/1Min	

Mechanical

Wire strip length
 Operating temperature

8 ~ 9mm
 -30°C ~ +120°C

Dimensions

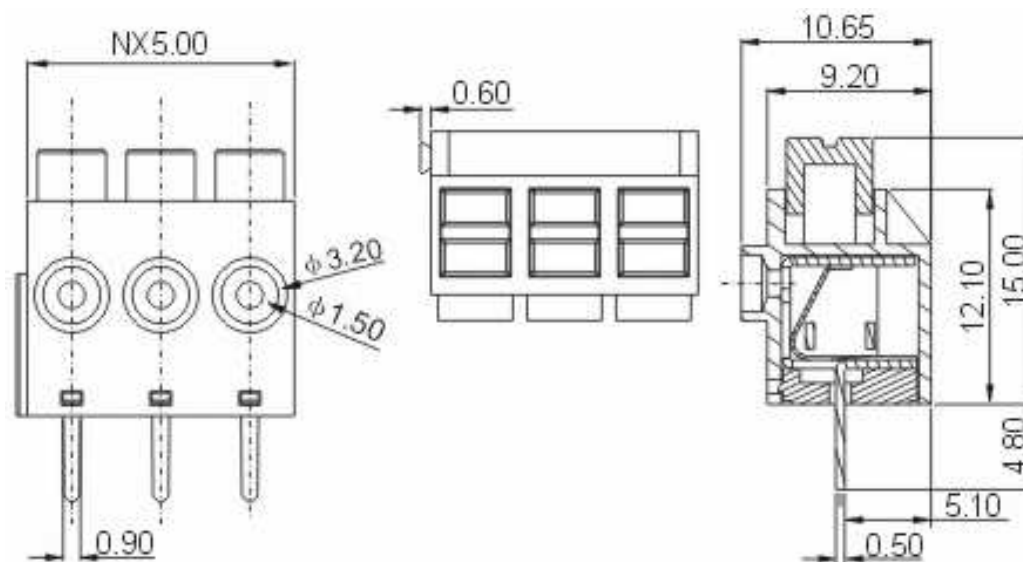
Pitch
 Poles

5.00mm
 2P, 3P - 24P

Material

Housing
 Pin header
 Wire guard

PBT (UL94V-0)
 Brass, Tin plated
 Stainless steel



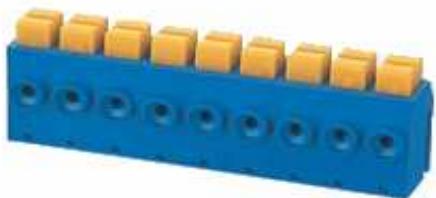
Screwless Terminal Block

Part No.: **A11L053**

Customer:

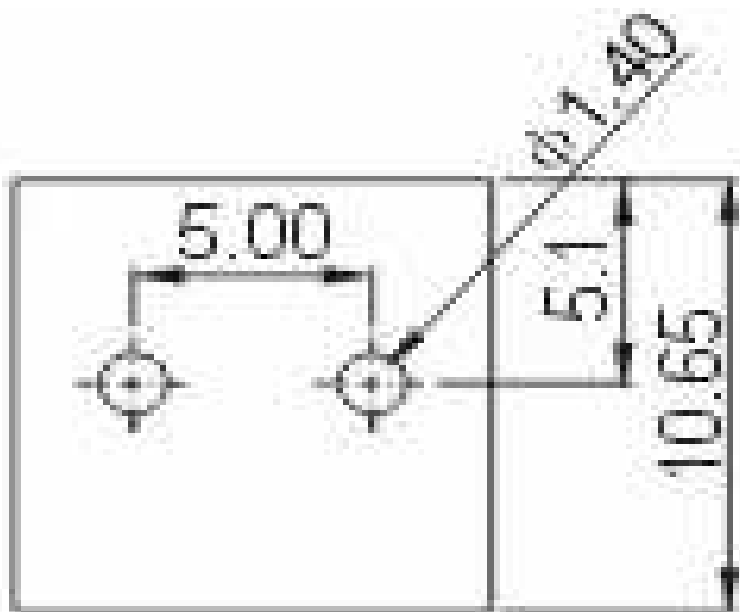
DRW:	Jason	CHKD	Wilson	MATL:	Wilson	TOLERANCE	Mason	DATE	03.02.2014
APPD:	Schumi			FINISH	Jamy		Sheet No.		1 from 4

EDCON-COMPONENTS



PCB Layout (Dimension in mm)

Dimensions (mm)



No. of Pos.	A	Tol. P	B	Tol. P
02	10,60	± 0,35	5,00	± 0,35
03	15,60	± 0,35	10,00	± 0,35
04	20,60	± 0,36	15,00	± 0,36
05	25,60	± 0,37	20,00	± 0,37
06	30,60	± 0,38	25,00	± 0,38
07	35,60	± 0,39	30,00	± 0,39
08	40,60	± 0,40	35,00	± 0,40
09	45,60	± 0,41	40,00	± 0,41
10	50,60	± 0,42	45,00	± 0,42
11	55,60	± 0,43	50,00	± 0,43
12	60,60	± 0,44	55,00	± 0,44
13	65,60	± 0,45	60,00	± 0,45
14	70,60	± 0,46	65,00	± 0,46
15	75,60	± 0,47	70,00	± 0,47
16	80,60	± 0,48	75,00	± 0,48
17	85,60	± 0,49	80,00	± 0,49
18	90,60	± 0,50	85,00	± 0,50
19	95,60	± 0,51	90,00	± 0,51
20	100,60	± 0,52	95,00	± 0,52
21	105,60	± 0,53	100,00	± 0,53
22	110,60	± 0,54	105,00	± 0,54
23	115,60	± 0,55	110,00	± 0,55
24	120,60	± 0,56	115,00	± 0,56

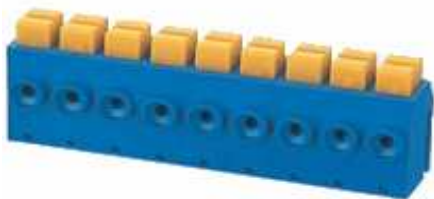
Screwless Terminal Block

Part No.: **A11L053**

DRW:	Jason	CHKD	Wilson	MATL:	Wilson	TOLERANCE	Mason	DATE	03.02.2014
APPD:	Schumi			FINISH	Jamy		Sheet No.		2 from 4

Customer:

EDCON-COMPONENTS



Ordering Informations

Serie	No. of Pos.	Body Color	Approval	Approval Code	ROHS	Packing	EDCON Cust. No.	Customer Version		
A11L053	02	GY	N	N	R	B				

Pitch
5,00

02= Number of Pos. Standard 2~24 Pos.	GY= Gray (Standard)	N= No Approval	N= NON Approval	R= ROHS Conform	B= Standard Package	xxxxxx= Customer Number	xxx= Customer Version ??(Printing)
	GN= Green	1= Approval for Material	A= UL /UR Approval Please consult EDCON for available	N= NON ROHS Conform	I= Individual Package		
		2= Approval for Terminal Block	B= VDE Approval Please consult EDCON for available				
	OR= Orange		C= TÜV Approval Please consult EDCON for available				
	BK= Black						

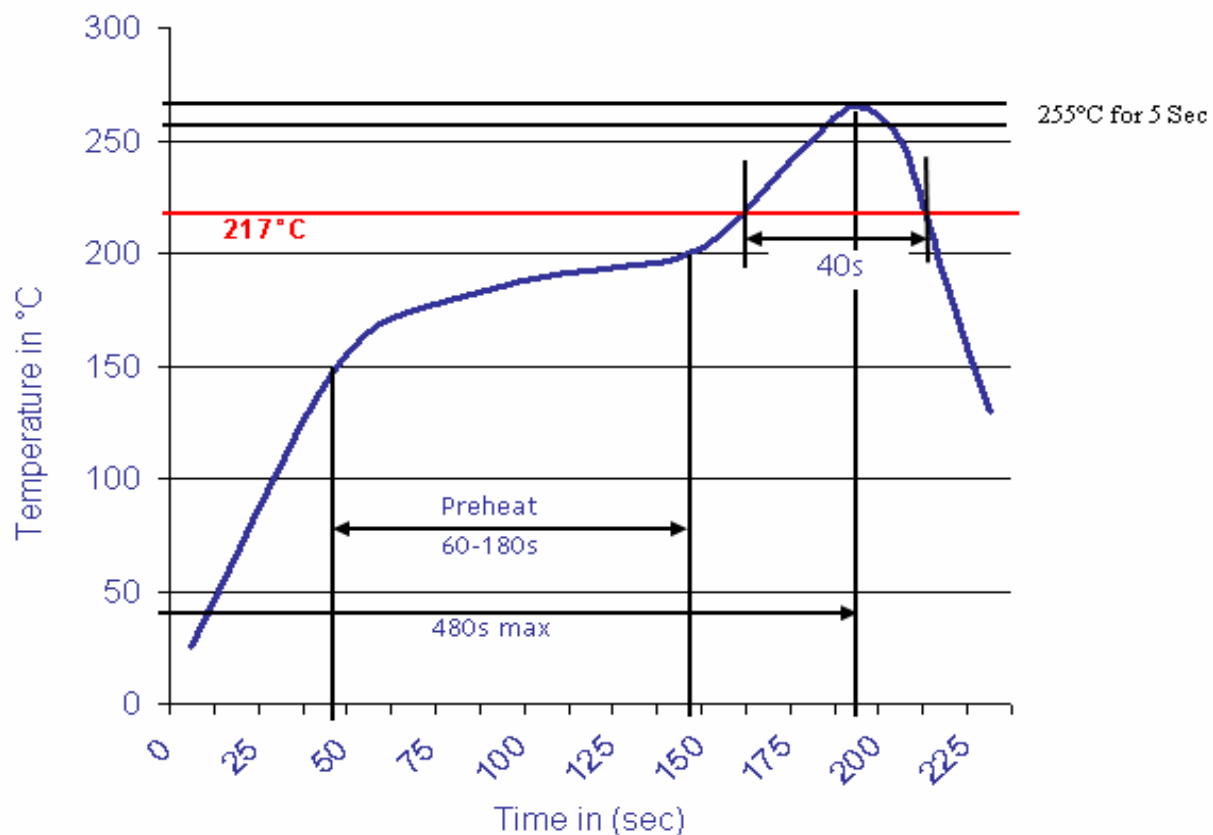
Screwless Terminal Block	
Part No.:	A11L053
Customer:	

DRW:	Jason	CHKD	Wilson	MATL:	Wilson	TOLERANCE	Mason	DATE	03.02.2014
APPD:	Schumi			FINISH	Jamy		Sheet No.		3 from 4



Soldering Profile Curve

Classification Reflow Profile (JEDEC J-STD-020C)



Screwless Terminal Block

Part No.: **A11L053**

Customer:

DRW:	Jason	CHKD	Wilson	MATL:	Wilson	TOLERANCE	Mason	DATE	03.02.2014
APPD:	Schumi			FINISH	Jamy		Sheet No.	4 from 4	

