

Data Sheet

Screwless Terminal Block

Pitch: 5,00 mm

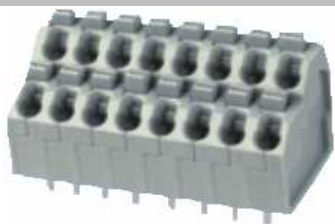
Serie: A11L052

Customer Information for special Item

EDCON Customer : 0

Customer Version No. : 0

EDCON-COMPONENTS



Technical Discription

Drawing (Dimension in mm)

Electrical

Standard UL, VDE
 Rated voltage 300V
 Rated current 10A
 Wire range 22-14 AWG

Mechanical

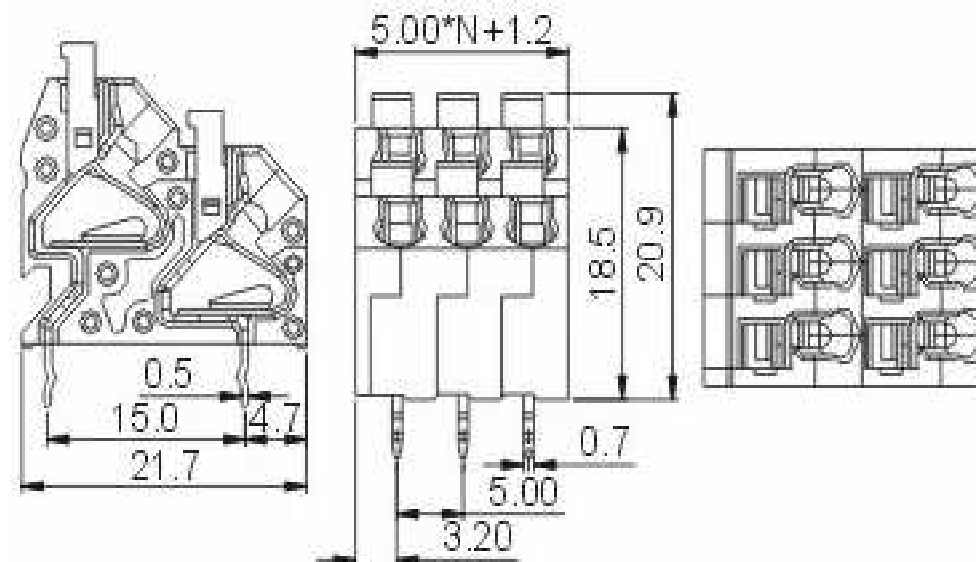
Operating temperature -40°C ~ +105°C

Dimensions

Pitch 5.00mm
 Poles 2P - 24P

Material

Housing Nylon PA66 (UL94V-0)
 Pin header Brass, Tin plated
 Wire guard Stainless steel



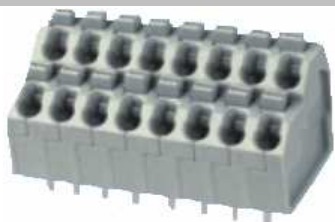
Screwless Terminal Block

Part No.: **A11L052**

Customer:

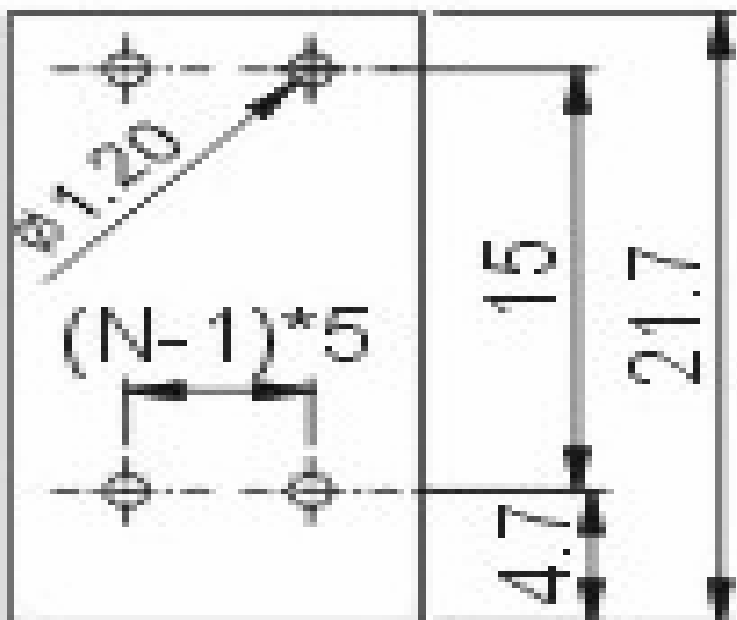
DRW:	Jason	CHKD	Wilson	MATL:	Wilson	TOLERANCE	Mason	DATE	03.02.2014
APPD:	Schumi			FINISH	Jamy		Sheet No.	1 from 4	

EDCON-COMPONENTS



PCB Layout (Dimension in mm)

Dimensions (mm)



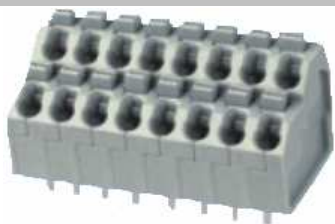
No. of Pos.	A	Tol. P	B	Tol. P
02	11,20	± 0,35	5,00	± 0,35
03	16,20	± 0,35	10,00	± 0,35
04	21,20	± 0,36	15,00	± 0,36
05	26,20	± 0,37	20,00	± 0,37
06	31,20	± 0,38	25,00	± 0,38
07	36,20	± 0,39	30,00	± 0,39
08	41,20	± 0,40	35,00	± 0,40
09	46,20	± 0,41	40,00	± 0,41
10	51,20	± 0,42	45,00	± 0,42
11	56,20	± 0,43	50,00	± 0,43
12	61,20	± 0,44	55,00	± 0,44
13	66,20	± 0,45	60,00	± 0,45
14	71,20	± 0,46	65,00	± 0,46
15	76,20	± 0,47	70,00	± 0,47
16	81,20	± 0,48	75,00	± 0,48
17	86,20	± 0,49	80,00	± 0,49
18	91,20	± 0,50	85,00	± 0,50
19	96,20	± 0,51	90,00	± 0,51
20	101,20	± 0,52	95,00	± 0,52
21	106,20	± 0,53	100,00	± 0,53
22	111,20	± 0,54	105,00	± 0,54
23	116,20	± 0,55	110,00	± 0,55
24	121,20	± 0,56	115,00	± 0,56

Screwless Terminal Block

Part No.: **A11L052**

DRW:	Jason	CHKD	Wilson	MATL:	Wilson	TOLERANCE	Mason	DATE	03.02.2014
APPD:	Schumi			FINISH	Jamy		Sheet No.	2 from 4	Customer:

EDCON-COMPONENTS



Ordering Informations

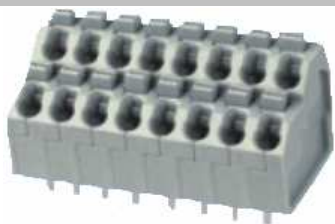
Serie	No. of Pos.	Body Color	Approval	Approval Code	ROHS	Packing	EDCON Cust. No.	Customer Version		
A11L052	02	GY	N	N	R	B				

Pitch
5,00

02= Number of Pos. Standard 2~24 Pos.	GY= Gray (Standard) GN= Green OR= Orange BK= Black	N= No Approval 1= Approval for Material 2= Approval for Terminal Block	N= NON Approval A= UL /UR Approval Please consult EDCON for available B= VDE Approval Please consult EDCON for available C= TÜV Approval Please consult EDCON for available	R= ROHS Conform N= NON ROHS Conform	B= Standard Package I= Individual Package	xxxxxx= Customer Number	xxx= Customer Version ??(Printing)
---	---	---	--	--	--	--------------------------------	---

Screwless Terminal Block	
Part No.:	A11L052
Customer:	

DRW:	Jason	CHKD	Wilson	MATL:	Wilson	TOLERANCE	Mason	DATE	03.02.2014
APPD:	Schumi			FINISH	Jamy		Sheet No.		3 from 4



Soldering Profile Curve

Classification Reflow Profile (JEDEC J-STD-020C)



Screwless Terminal Block

Part No.: **A11L052**

Customer:

DRW:	Jason	CHKD	Wilson	MATL:	Wilson	TOLERANCE	Mason	DATE	03.02.2014
APPD:	Schumi			FINISH	Jamy		Sheet No.	4 from 4	

