

# Data Sheet

## Screwless Terminal Block

**Pitch: 5,00 mm**

**Serie: A11L037**

### Customer Information for special Item

**EDCON Customer : 0**

**Customer Version No. : 0**

# EDCON-COMPONENTS



## Technical Discription

## Drawing (Dimension in mm)

### Electrical

|                       |                                |
|-----------------------|--------------------------------|
| Rated voltage         | 300V                           |
| Rated current         | 10A                            |
| Contact resistance    | 20mΩ                           |
| Insulation resistance | 5000MΩ / 1000V                 |
| Withstanding voltage  | AC1500V/Min                    |
| Wire range            | 26-14 AWG / 2.5mm <sup>2</sup> |

### Mechanical

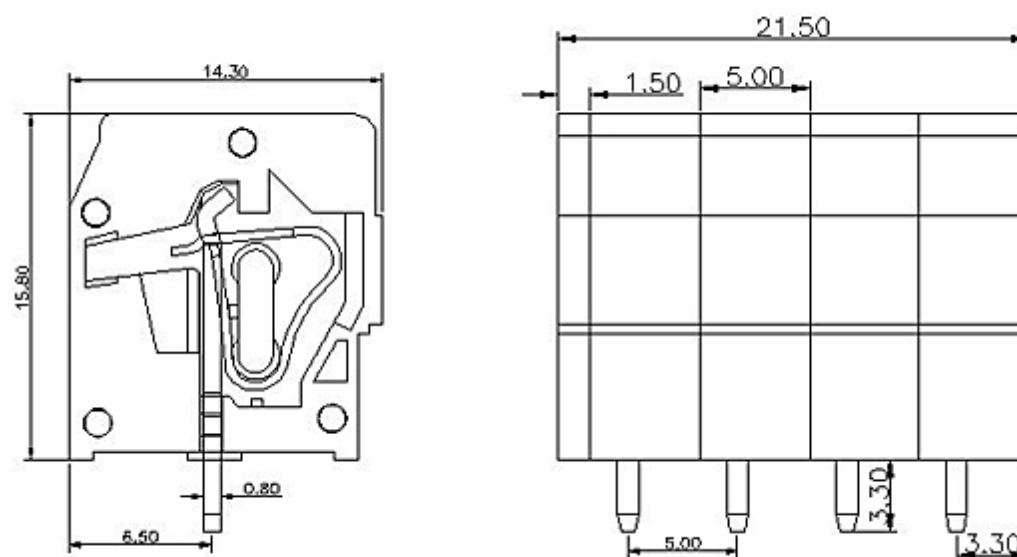
|                       |                |
|-----------------------|----------------|
| Wire strip length     | 4.5 ~ 5mm      |
| Operating temperature | -40°C ~ +105°C |
| Soldering temperature | +250°C/sec     |

### Dimensions

|       |          |
|-------|----------|
| Pitch | 5.00mm   |
| Poles | 1P - xxP |

### Material

|            |                   |
|------------|-------------------|
| Housing    | PA66 (UL94V-0)    |
| Pin header | Brass, Tin plated |
| Wire guard | Stainless steel   |



### Screwless Terminal Block

Part No.: **A11L037**

Customer:

|       |        |      |        |        |        |           |           |          |            |
|-------|--------|------|--------|--------|--------|-----------|-----------|----------|------------|
| DRW:  | Jason  | CHKD | Wilson | MATL:  | Wilson | TOLERANCE | Mason     | DATE     | 03.02.2014 |
| APPD: | Schumi |      |        | FINISH | Jamy   |           | Sheet No. | 1 from 4 |            |

# EDCON-COMPONENTS



PCB Layout (Dimension in mm)

Dimensions (mm)

| No. of Pos. | A      | Tol. P | B      | Tol. P |
|-------------|--------|--------|--------|--------|
| 02          | 11,00  | ± 0,35 | 5,00   | ± 0,35 |
| 03          | 16,00  | ± 0,35 | 10,00  | ± 0,35 |
| 04          | 21,00  | ± 0,35 | 15,00  | ± 0,35 |
| 05          | 26,00  | ± 0,35 | 20,00  | ± 0,35 |
| 06          | 31,00  | ± 0,35 | 25,00  | ± 0,35 |
| 07          | 36,00  | ± 0,35 | 30,00  | ± 0,35 |
| 08          | 41,00  | ± 0,35 | 35,00  | ± 0,35 |
| 09          | 46,00  | ± 0,35 | 40,00  | ± 0,35 |
| 10          | 51,00  | ± 0,35 | 45,00  | ± 0,35 |
| 11          | 56,00  | ± 0,35 | 50,00  | ± 0,35 |
| 12          | 61,00  | ± 0,35 | 55,00  | ± 0,35 |
| 13          | 66,00  | ± 0,35 | 60,00  | ± 0,35 |
| 14          | 71,00  | ± 0,35 | 65,00  | ± 0,35 |
| 15          | 76,00  | ± 0,35 | 70,00  | ± 0,35 |
| 16          | 81,00  | ± 0,35 | 75,00  | ± 0,35 |
| 17          | 86,00  | ± 0,35 | 80,00  | ± 0,35 |
| 18          | 91,00  | ± 0,35 | 85,00  | ± 0,35 |
| 19          | 96,00  | ± 0,35 | 90,00  | ± 0,35 |
| 20          | 101,00 | ± 0,35 | 95,00  | ± 0,35 |
| 21          | 106,00 | ± 0,35 | 100,00 | ± 0,35 |
| 22          | 111,00 | ± 0,35 | 105,00 | ± 0,35 |
| 23          | 116,00 | ± 0,35 | 110,00 | ± 0,35 |
| 24          | 121,00 | ± 0,35 | 115,00 | ± 0,35 |

**Screwless Terminal Block**

Part No.: **A11L037**

|       |        |      |        |        |        |           |           |          |            |           |
|-------|--------|------|--------|--------|--------|-----------|-----------|----------|------------|-----------|
| DRW:  | Jason  | CHKD | Wilson | MATL:  | Wilson | TOLERANCE | Mason     | DATE     | 03.02.2014 | Customer: |
| APPD: | Schumi |      |        | FINISH | Jamy   |           | Sheet No. | 2 from 4 |            |           |

# EDCON-COMPONENTS



## Ordering Informations

| Serie | No. of Pos. | Body Color | Approval | Approval Code | ROHS | Packing | EDCON Cust. No. | Customer Version |  |  |
|-------|-------------|------------|----------|---------------|------|---------|-----------------|------------------|--|--|
|-------|-------------|------------|----------|---------------|------|---------|-----------------|------------------|--|--|

|                |           |           |          |          |          |          |  |  |  |  |
|----------------|-----------|-----------|----------|----------|----------|----------|--|--|--|--|
| <b>A11L037</b> | <b>02</b> | <b>GN</b> | <b>N</b> | <b>N</b> | <b>R</b> | <b>B</b> |  |  |  |  |
|----------------|-----------|-----------|----------|----------|----------|----------|--|--|--|--|

|               |  |   |  |   |  |  |                                 |   |  |  |
|---------------|--|---|--|---|--|--|---------------------------------|---|--|--|
| Pitch<br>5,00 | <b>02</b> = Number of Pos.<br>Standard 2~24 Pos. | <b>GY</b> = Gray (Standard)<br><br><b>GN</b> = Green<br><br><b>OR</b> = Orange<br><br><b>BK</b> = Black | <b>N</b> = No Approval<br><br><b>1</b> = Approval for Material<br><br><b>2</b> = Approval for Terminal Block | <b>N</b> = NON Approval<br><br><b>A</b> = UL /UR Approval<br>Please consult EDCON for available<br><br><b>B</b> = VDE Approval<br>Please consult EDCON for available<br><br><b>C</b> = TÜV Approval<br>Please consult EDCON for available | <b>R</b> = ROHS Conform<br><br><b>N</b> = NON ROHS Conform | <b>B</b> = Standard Package<br><br><b>I</b> = Individual Package | <b>xxxxxx</b> = Customer Number | <b>xxx</b> = Customer Version<br>??(Printing) |  |  |
|---------------|--|---|--|---|--|--|---------------------------------|---|--|--|

**Screwless Terminal Block**

Part No.: **A11L037**

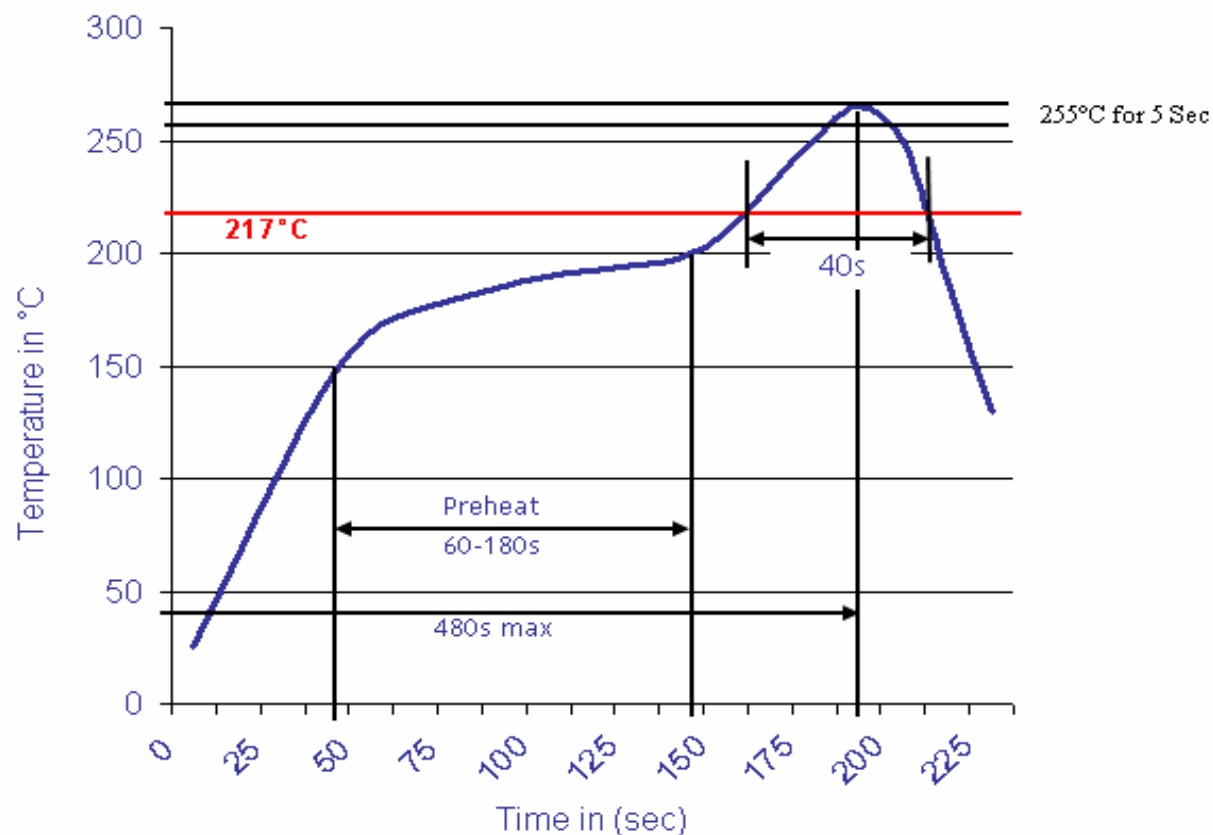
|       |        |      |        |        |        |           |           |      |            |
|-------|--------|------|--------|--------|--------|-----------|-----------|------|------------|
| DRW:  | Jason  | CHKD | Wilson | MATL:  | Wilson | TOLERANCE | Mason     | DATE | 03.02.2014 |
| APPD: | Schumi |      |        | FINISH | Jamy   |           | Sheet No. |      | 3 from 4   |

Customer:



Soldering Profile Curve

Classification Reflow Profile (JEDEC J-STD-020C)



**Screwless Terminal Block**

Part No.: **A11L037**

Customer:

|       |        |      |        |        |        |           |           |          |            |
|-------|--------|------|--------|--------|--------|-----------|-----------|----------|------------|
| DRW:  | Jason  | CHKD | Wilson | MATL:  | Wilson | TOLERANCE | Mason     | DATE     | 03.02.2014 |
| APPD: | Schumi |      |        | FINISH | Jamy   |           | Sheet No. | 4 from 4 |            |



