

Data Sheet

Screwless Terminal Block

Pitch: 5,00 mm

Serie: A11L015

Customer Information for special Item

EDCON Customer : 0

Customer Version No. : 0

EDCON-COMPONENTS



Technical Discription

Drawing (Dimension in mm)

Electrical

Standard
 Rated voltage
 Rated current
 Wire range
 Withstanding voltage

UL	IEC
300V	250V
5A	10A
20-18 AWG	1.5mm ²
AC2000V/1Min	

Mechanical

Wire strip length
 Operating temperature

9 ~ 10mm
 -40°C ~ +105°C

Dimensions

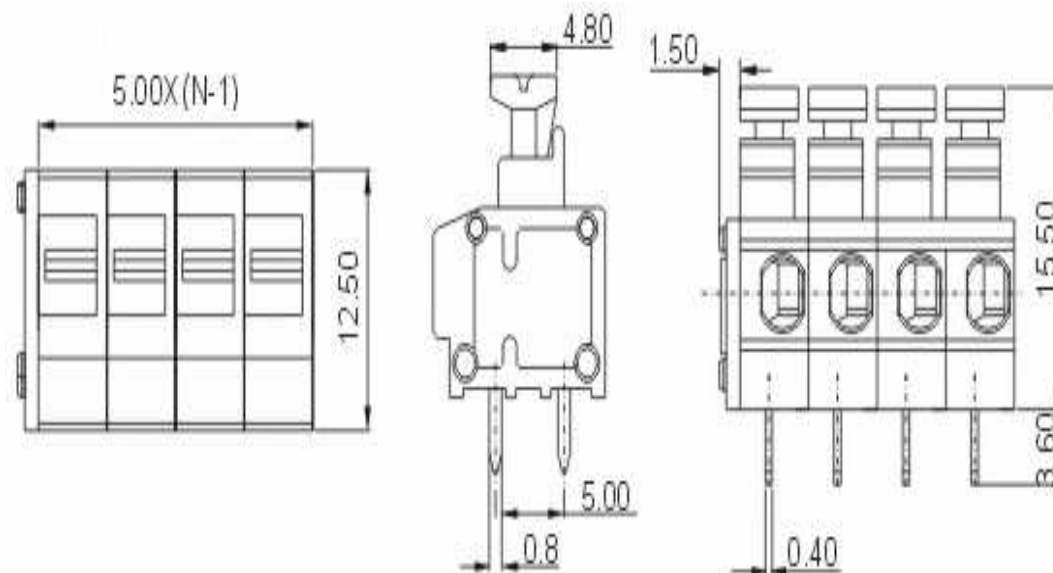
Pitch
 Poles

5.00mm
 1P - xxP

Material

Housing
 Pin header
 Wire guard

PA66 (UL94V-0)
 Phosphor Bronze, Tin plated
 Stainless steel



Screwless Terminal Block

Part No.: **A11L015**

Customer:

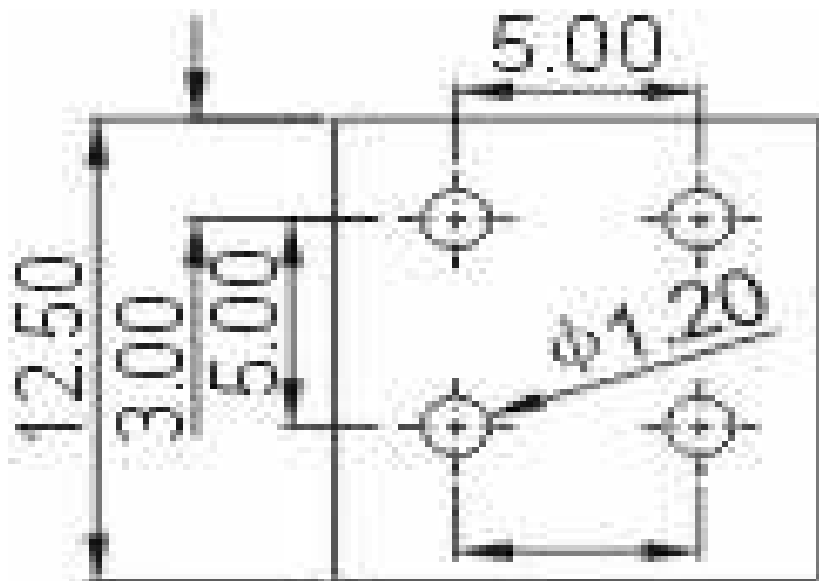
DRW:	Jason	CHKD	Wilson	MATL:	Wilson	TOLERANCE	Mason	DATE	31.01.2014
APPD:	Schumi			FINISH	Jamy		Sheet No.	1 from 4	

EDCON-COMPONENTS



PCB Layout (Dimension in mm)

Dimensions (mm)



No. of Pos.	A	Tol. P	B	Tol. P
02	11,50	± 0,35	5,00	± 0,35
03	16,50	± 0,35	10,00	± 0,35
04	21,50	± 0,35	15,00	± 0,35
05	26,50	± 0,35	20,00	± 0,35
06	31,50	± 0,35	25,00	± 0,35
07	36,50	± 0,35	30,00	± 0,35
08	41,50	± 0,35	35,00	± 0,35
09	46,50	± 0,35	40,00	± 0,35
10	51,50	± 0,35	45,00	± 0,35
11	56,50	± 0,35	50,00	± 0,35
12	61,50	± 0,35	55,00	± 0,35
13	66,50	± 0,35	60,00	± 0,35
14	71,50	± 0,35	65,00	± 0,35
15	76,50	± 0,35	70,00	± 0,35
16	81,50	± 0,35	75,00	± 0,35
17	86,50	± 0,35	80,00	± 0,35
18	91,50	± 0,35	85,00	± 0,35
19	96,50	± 0,35	90,00	± 0,35
20	101,50	± 0,35	95,00	± 0,35
21	106,50	± 0,35	100,00	± 0,35
22	111,50	± 0,35	105,00	± 0,35
23	116,50	± 0,35	110,00	± 0,35
24	121,50	± 0,35	115,00	± 0,35

Screwless Terminal Block

Part No.: **A11L015**

DRW:	Jason	CHKD	Wilson	MATL:	Wilson	TOLERANCE	Mason	DATE	31.01.2014	Customer:
APPD:	Schumi			FINISH	Jamy		Sheet No.	2 from 4		

EDCON-COMPONENTS



Ordering Informations

Serie	No. of Pos.	Body Color	Approval	Approval Code	ROHS	Packing	EDCON Cust. No.	Customer Version		
A11L015	02	GY	N	N	R	B				

Pitch
5,00

02= Number of Pos. Standard 2~24 Pos.	GY= Gray (Standard) GN= Green OR= Orange BK= Black	N= No Approval 1= Approval for Material 2= Approval for Terminal Block	N= NON Approval A= UL /UR Approval Please consult EDCON for available B= VDE Approval Please consult EDCON for available C= TÜV Approval Please consult EDCON for available	R= ROHS Conform N= NON ROHS Conform	B= Standard Package I= Individual Package	xxxxxx= Customer Number	xxx= Customer Version ??(Printing)
---	---	---	--	--	--	--------------------------------	---

Screwless Terminal Block

Part No.: **A11L015**

DRW:	Jason	CHKD	Wilson	MATL:	Wilson	TOLERANCE	Mason	DATE	31.01.2014
APPD:	Schumi			FINISH	Jamy		Sheet No.		3 from 4

Customer:



Soldering Profile Curve

Classification Reflow Profile (JEDEC J-STD-020C)



Screwless Terminal Block

Part No.: **A11L015**

Customer:

DRW:	Jason	CHKD	Wilson	MATL:	Wilson	TOLERANCE	Mason	DATE	31.01.2014
APPD:	Schumi			FINISH	Jamy		Sheet No.	4 from 4	

