

Data Sheet

Screwless Terminal Block

Pitch: 5,00 mm

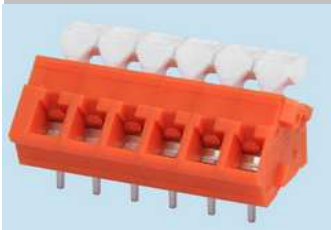
Serie: A11L001

Customer Information for special Item

EDCON Customer : 0

Customer Version No. : 0

EDCON-COMPONENTS



Technical Description

Drawing (Dimension in mm)

Electrical

Standard	cULus / IEC
Rated voltage	300V / 250V
Rated current	10A / 15A
Withstanding voltage	2.0KV/1Min.
Solid wire	26-14 AWG
Stranded wire	26-14 AWG

Mechanical

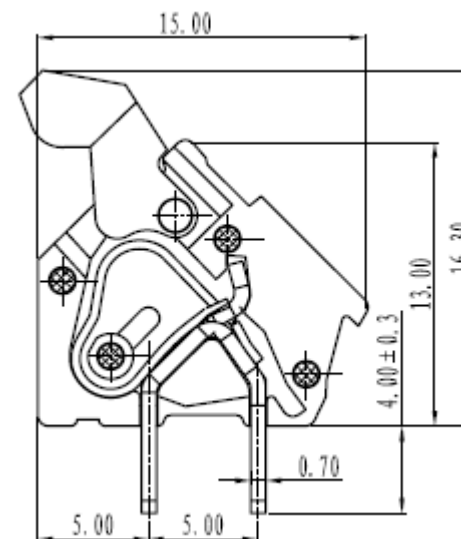
Wire strip length	5 ~ 6mm
Ambient temperature	-40°C ~ +105°C
Soldering temperature	250°C ±10°C/5 sec

Dimensions

Pitch	5.00mm
Poles	2P - 24P

Material

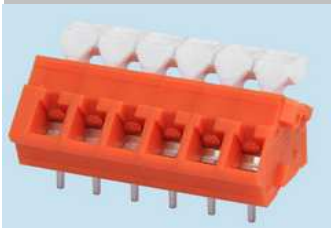
Housing	Thermoplastic (UL94V-0)
Pin header	Brass, Tin plated
Wire guard	Stainless steel



Screwless Terminal Block	
Part No.:	A11L001
Customer:	

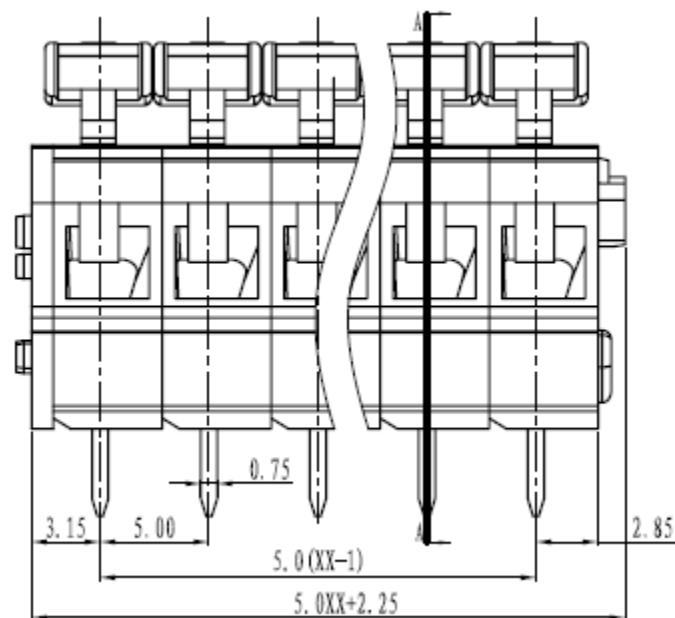
DRW:	Jason	CHKD	Wilson	MATL:	Wilson	TOLERANCE	Mason	DATE	08.04.2015
APPD:	Schumi			FINISH	Jamy		Sheet No.	1 from 4	

EDCON-COMPONENTS

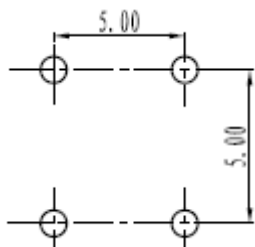


(Dimension in mm)

Dimensions (mm)



PCB Layout (mm)



No. of Pos.	A	Tol. P	B	Tol. P
02	11,50	± 0,35	5,00	± 0,35
03	16,50	± 0,35	10,00	± 0,35
04	21,50	± 0,35	15,00	± 0,35
05	26,50	± 0,35	20,00	± 0,35
06	31,50	± 0,35	25,00	± 0,35
07	36,50	± 0,35	30,00	± 0,35
08	41,50	± 0,35	35,00	± 0,35
09	46,50	± 0,35	40,00	± 0,35
10	51,50	± 0,35	45,00	± 0,35
11	56,50	± 0,35	50,00	± 0,35
12	61,50	± 0,35	55,00	± 0,35
13	66,50	± 0,35	60,00	± 0,35
14	71,50	± 0,35	65,00	± 0,35
15	76,50	± 0,35	70,00	± 0,35
16	81,50	± 0,35	75,00	± 0,35
17	86,50	± 0,35	80,00	± 0,35
18	91,50	± 0,35	85,00	± 0,35
19	96,50	± 0,35	90,00	± 0,35
20	101,50	± 0,35	95,00	± 0,35
21	106,50	± 0,35	100,00	± 0,35
22	111,50	± 0,35	105,00	± 0,35
23	116,50	± 0,35	110,00	± 0,35
24	121,50	± 0,35	115,00	± 0,35

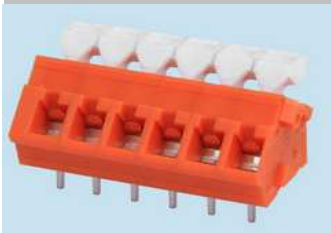
Screwless Terminal Block

Part No.: **A11L001**

Customer:

DRW:	Jason	CHKD	Wilson	MATL:	Wilson	TOLERANCE	Mason	DATE	08.04.2015
APPD:	Schumi			FINISH	Jamy		Sheet No.	2 from 4	

EDCON-COMPONENTS



Ordering Informations

Serie	No. of Pos.	Body Color	Approval	Approval Code	ROHS	Packing	EDCON Cust. No.	Customer Version		
-------	-------------	------------	----------	---------------	------	---------	-----------------	------------------	--	--

A11L001	02	GY	N	N	R	B				
----------------	-----------	-----------	----------	----------	----------	----------	--	--	--	--

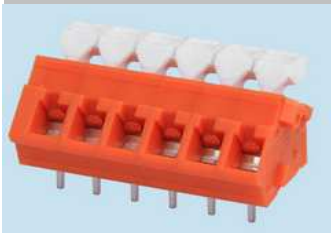
Pitch 5,00	02 = Number of Pos. Standard 2~24 Pos.	GY = Gray (Standard) GN = Green OR = Orange BK = Black	N = No Approval 1 = Approval for Material 2 = Approval for Terminal Block	N = NON Approval A = UL /UR Approval Please consult EDCON for available B = VDE Approval Please consult EDCON for available C = TÜV Approval Please consult EDCON for available	R = ROHS Conform N = NON ROHS Conform	B = Standard Package I = Individual Package	xxxxxx = Customer Number	xxx = Customer Version ??(Printing)		
---------------	--------------------------------------------------	---------------------------------------------------------------------------------------------	------------------------------------------------------------------------------------------------------	----------------------------------------------------------------------------------------------------------------------------------------------------------------------------------------------------------------------	--------------------------------------------------------	--------------------------------------------------------------	---------------------------------	--------------------------------------------	--	--

Screwless Terminal Block

Part No.: **A11L001**

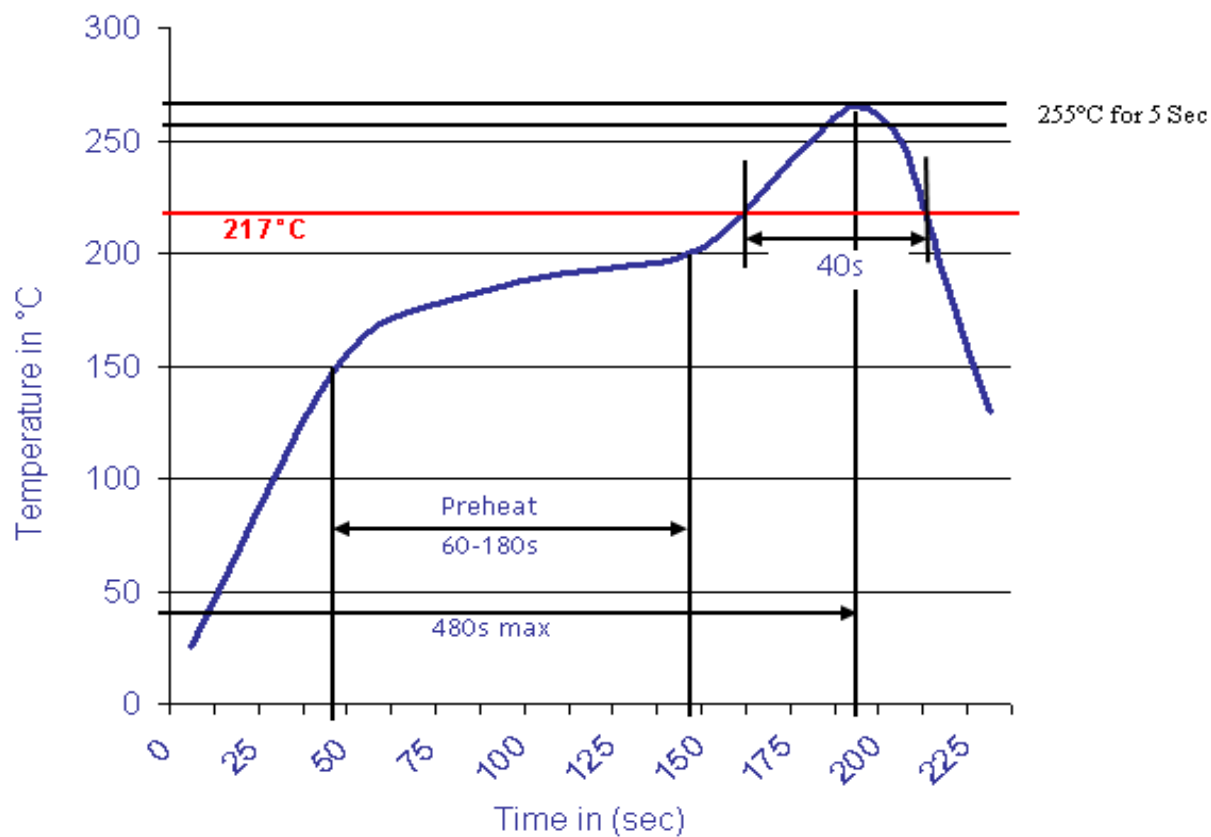
DRW:	Jason	CHKD	Wilson	MATL:	Wilson	TOLERANCE	Mason	DATE	08.04.2015
APPD:	Schumi			FINISH	Jamy		Sheet No.		3 from 4

Customer:



Soldering Profile Curve

Classification Reflow Profile (JEDEC J-STD-020C)



Screwless Terminal Block

Part No.: **A11L001**

Customer:

DRW:	Jason	CHKD	Wilson	MATL:	Wilson	TOLERANCE	Mason	DATE	08.04.2015
APPD:	Schumi			FINISH	Jamy		Sheet No.	4 from 4	