

# Data Sheet

## Screwless Terminal Block

**Pitch: 4,50 mm**

**Serie: A11J006**

### Customer Information for special Item

**EDCON Customer : 0**

**Customer Version No. : 0**

# EDCON-COMPONENTS



## Technical Discription

## Drawing (Dimension in mm)

### Electrical

Standard  
 Rated voltage  
 Rated current  
 Wire range  
 Withstanding voltage

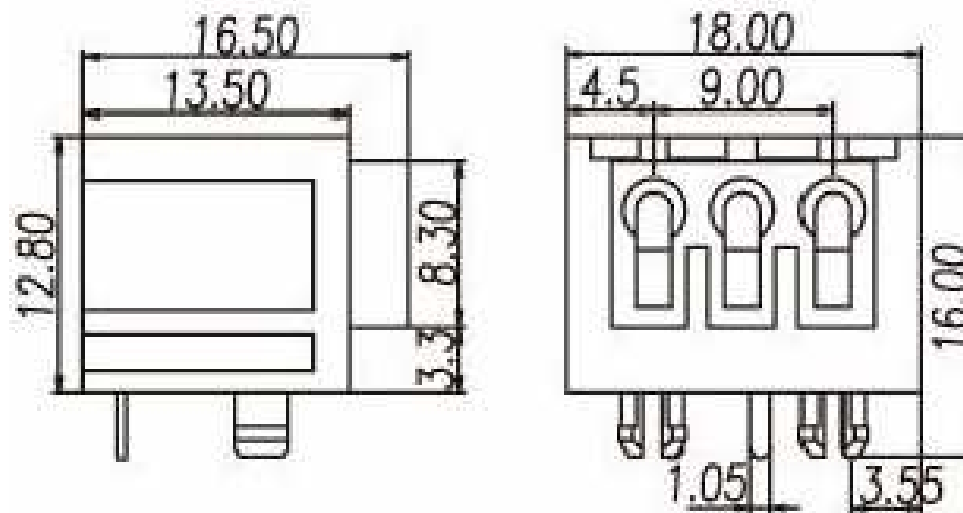
UL	IEC
300V	450V
10A	12A
24-18 AWG	0.75mm <sup>2</sup>
1.6KV	3KV

### Dimensions

Pitch 4.50mm  
 Poles 2P - 24P

### Mechanical

Wire strip length 9 - 10mm



### Screwless Terminal Block

Part No.: **A11J006**

Customer:

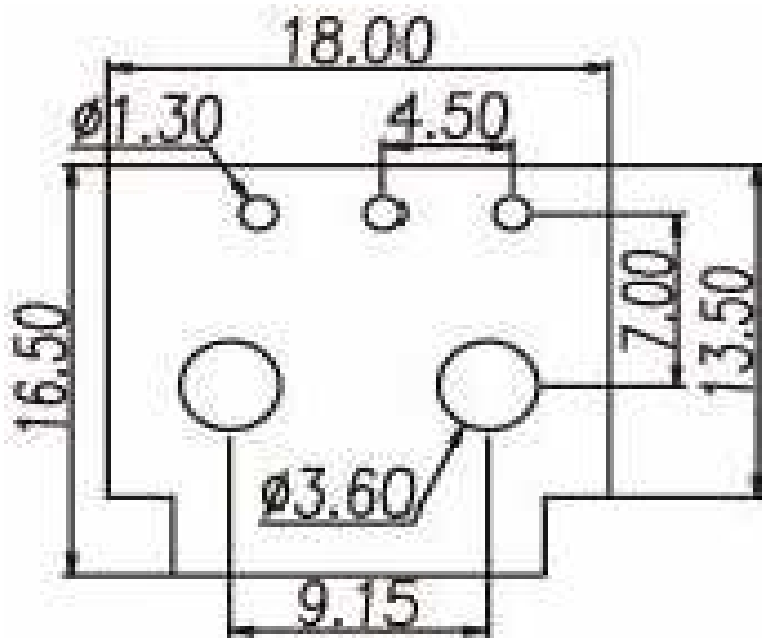
DRW:	Jason	CHKD	Wilson	MATL:	Wilson	TOLERANCE	Mason	DATE	31.01.2014
APPD:	Schumi			FINISH	Jamy		Sheet No.	1 from 4	

# EDCON-COMPONENTS



PCB Layout (Dimension in mm)

Dimensions (mm)



No. of Pos.	A	Tol. P	B	Tol. P
02	13,50	± 0,35	4,50	± 0,35
03	18,00	± 0,35	9,00	± 0,35
04	22,50	± 0,35	13,50	± 0,35
05	27,00	± 0,35	18,00	± 0,35
06	31,50	± 0,35	22,50	± 0,35
07	36,00	± 0,35	27,00	± 0,35
08	40,50	± 0,35	31,50	± 0,35
09	45,00	± 0,35	36,00	± 0,35
10	49,50	± 0,35	40,50	± 0,35
11	54,00	± 0,35	45,00	± 0,35
12	58,50	± 0,35	49,50	± 0,35
13	63,00	± 0,36	54,00	± 0,36
14	67,50	± 0,37	58,50	± 0,37
15	72,00	± 0,38	63,00	± 0,38
16	76,50	± 0,39	67,50	± 0,39
17	81,00	± 0,40	72,00	± 0,40
18	85,50	± 0,41	76,50	± 0,41
19	90,00	± 0,42	81,00	± 0,42
20	94,50	± 0,43	85,50	± 0,43
21	99,00	± 0,44	90,00	± 0,44
22	103,50	± 0,45	94,50	± 0,45
23	108,00	± 0,46	99,00	± 0,46
24	112,50	± 0,47	103,50	± 0,47

**Screwless Terminal Block**

Part No.: **A11J006**

Customer:

DRW:	Jason	CHKD	Wilson	MATL:	Wilson	TOLERANCE	Mason	DATE	31.01.2014
APPD:	Schumi			FINISH	Jamy		Sheet No.	2 from 4	

# EDCON-COMPONENTS



## Ordering Informations

Serie	No. of Pos.	Body Color	Approval	Approval Code	ROHS	Packing	EDCON Cust. No.	Customer Version		
<b>A11J006</b>	<b>02</b>	<b>GY</b>	<b>N</b>	<b>N</b>	<b>R</b>	<b>B</b>				

Pitch  
4,50

02= Number of Pos. Standard 2 ~ 24Pos.	<b>GY</b> = Gray (Standard)	<b>N</b> = No Approval	<b>N</b> = NON Approval	<b>R</b> = ROHS Conform	<b>B</b> = Standard Package <b>I</b> = Individual Package	<b>xxxxxx</b> = Customer Number	<b>xxx</b> = Customer Version ??(Printing)
	<b>GN</b> = Green	<b>1</b> = Approval for Material <b>2</b> = Approval for Terminal Block	<b>A</b> = UL /UR Approval Please consult EDCON for available	<b>N</b> = NON ROHS Conform			
	<b>OR</b> = Orange		<b>B</b> = VDE Approval Please consult EDCON for available				
	<b>BK</b> = Black		<b>C</b> = TÜV Approval Please consult EDCON for available				

<b>Screwless Terminal Block</b>	
Part No.:	<b>A11J006</b>
Customer:	

DRW:	Jason	CHKD	Wilson	MATL:	Wilson	TOLERANCE	Mason	DATE	31.01.2014
APPD:	Schumi			FINISH	Jamy		Sheet No.		3 from 4



Soldering Profile Curve

Classification Reflow Profile (JEDEC J-STD-020C)



**Screwless Terminal Block**

Part No.: **A11J006**

Customer:

DRW:	Jason	CHKD	Wilson	MATL:	Wilson	TOLERANCE	Mason	DATE	31.01.2014
APPD:	Schumi			FINISH	Jamy		Sheet No.	4 from 4	



